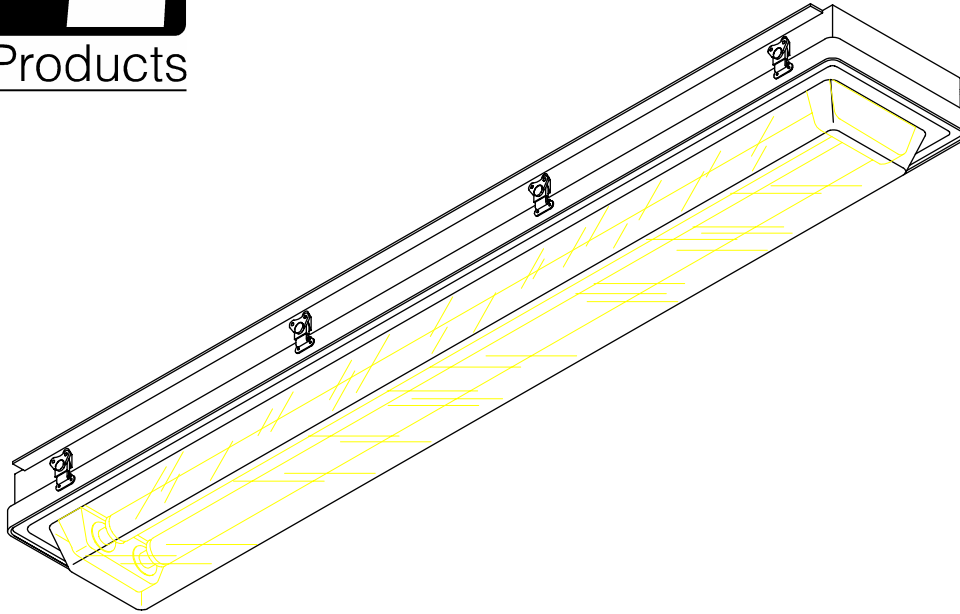




- CSA - Class I Div. 2 - Groups A, B, C, & D
- CSA - Class I Zone 2 - Groups IIA, IIB & IIC
- CSA - Class II Div. 2 - Groups F & G
- CSA - Type 3
- UL 844 - Class I Div. 2 - Groups A, B, C, & D
- UL - Outdoor Marine Type (Salt Water)
- Meets Coast Guard Specifications (USA & Canada)



MagnaPro

Hazardous Area Drop Lens Fluorescent

Features:

- **High impact and vibration resistant.**
- Rugged **extruded aluminum housing** with cast end caps.
- **Aluminum reflector** finished with a **high reflectance** baked white enamel.
- **Extruded aluminum lens frame, seam welded** around lens.
- Standard clear high impact **polycarbonate lens.**
- **Neoprene gasket** permanently mounted in lens frame.
- Lens **frame hinged** on side for easy lamp replacement (no loose pieces).
- **Spring loaded sockets** on HO models.
- **Locking sockets** on RS models made of industrial grade **high temperature PBT.**
- **Wide lumen pattern** (200 degrees) suitable for general lighting purposes.
- Full flange on entire length of base for **easy direct mounting.**
- **2 & 4 foot models** with 2 & 3 lamp T8 or 2 lamp T12 models.
- **Compact fluorescent** 2 lamp, 2 foot & 4 lamp, 4 foot models.

Applications:

- | | |
|---|-------------------------------------|
| ■ Chemical storage areas | ■ Surface mining operations |
| ■ Shipboard, ferry car deck lighting | ■ Battery bank storage rooms |
| ■ Waste treatment plants | ■ Bulk truck terminals |
| ■ Breweries | ■ Oil drilling rigs |



MagnaPro

Catalog Number Logic

MP **4 - 3** **1** **1** **0** **U - ****
(1) (2) (3) (4) (5) (6) (7) (8)

(1) Series - MagnaPro “MP”

Extruded aluminum housing & door frame,
cast end caps & polycarbonate drop style lens.

(2) Length (nominal)

2 - 2 foot
4 - 4 foot

(3) Number of Lamps

2 - For 2 lamps
3 - For 3 lamps (ballast type 1 only)
4 - For 4 lamps (4 foot unit, ballast type 2 only)

(4) Ballast Type

1 - 265 mA, T8
(0° F & -18° C starting temp, 50/60Hz electronic ballast)
2 - 270 mA, 2G11 - compact fluorescent
(0° F & -18° C starting temp, 50/60Hz electronic ballast)
4 - 430 mA, T12, RS
(+50° F & +10° C starting temp, magnetic ballast)
8 - 800 mA, T12, RS, HO
(-20° F & -29° C starting temp, magnetic ballast)

(5) Voltage / Frequency

1 - 120 Volt 60 Hz.
2 - 220 Volt 50 Hz.(T12 magnetic only, not CSA listed)
3 - 220 to 240 Volt 50/60 Hz.(ballast types 1 & 2 only)
4 - 240 Volt 60 Hz.(T12 magnetic only)
5 - 277 Volt 60 Hz.
6 - 347 Volt 60 Hz.*
7 - 120 to 277 Volt 50/60 Hz.(ballast type 1 only)

(6) Mounting Style

0 - Direct flange mounting, standard design
(optional adjustable brackets shown in mounting options)

(7) Labels:

U - UL
C - CSA (C/US)
M - Dual labels (UL & CSA)

(8) Special Options

EM1 - Emergency ballast, all areas, 700 lumen*
L - Lamps (energy saving except on HO)
S - Switch, on/off *
SD - Switch, emergency battery disconnect*

Notes:

1. **Lamps are not included.**
2. **All emergency units have integral test switch and charging circuit indicator lamp.**
3. *** CSA (C/US) approved only.**
4. **Consult factory for any catalog number or options not listed above for price and availability.**

MagnaPro

Ordering Guide

Standard Models 120V 60 Hz (Lamps & Brackets Not Included)

Fixture Length	Ballast Type	Lamp Type	No. of Lamps	Raw Lumen Output	Voltage	Catalog Number
Two Foot	Electronic	F17T8	2	2,502	120V 60 Hz	MP2-2110C
			3	3,753		MP2-3110C
	Magnetic	F24T12/HO	2	3,150		MP2-2210C
			2	2,689		MP2-2810C
Four Foot	Electronic	F32T8	2	6,962		MP4-2110C
			3	10,443		MP4-3110C
		4	12,600	MP4-4210C		
	Magnetic	F40/ES	2	4,770		MP4-2410C
			2	6,723	MP4-2810C	

Rig Models (C/W Lamps)

Two Foot	Magnetic	F24T12/HO	2	2,689	120V 60 Hz	MP2-2810C-L
Four Foot		F48T12/HO			220V 50Hz	MP2-2820C-L
				6,723	120V 60 Hz	MP4-2810C-L
					220V 50Hz	MP4-2820C-L

Notes: Catalog number shown is for direct surface flange mount style, optional mounting hardware available.
*Add "C" for CSA (C/US), "U" for UL listed, "M" for both labels.

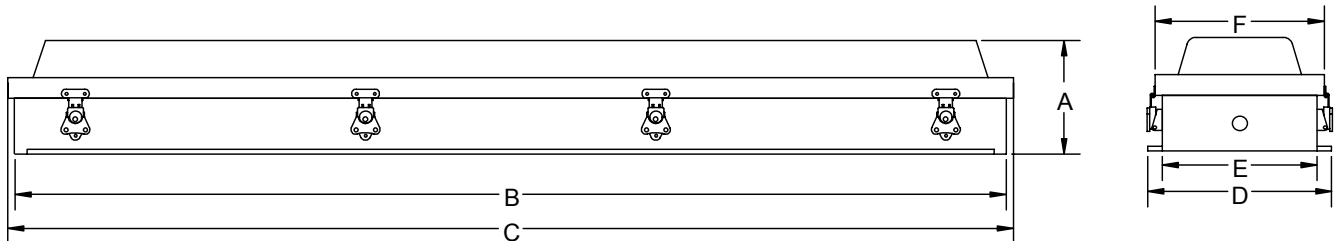
Certification Guide

Magnetic ballast approved for 40 C ambient Electronic ballast approved for 55 C ambient		Class I Div. 2 Groups A, B, C & D		Class I Zone 2 Groups IIA, IIB & IIC		Class II Div. 2 Class III	
Ballast Type	No. of Lamps	Approval	T-Rating	Approval	T-Rating	Approval	Groups
Electronic, 265mA, T8, RS	2 & 3	CSA/UL	T5	CSA	T5	CSA	F & G
Electronic, 270mA, 2G11, RS	2 & 4	CSA	T5	CSA	T5	CSA	F & G
Magnetic, 430mA, T12, RS	2	CSA/UL	T5	CSA	T5	CSA	F & G
Magnetic, 800mA, T12, HO	2	CSA/UL	T4A	CSA	T4	CSA	F & G

For detailed test results and approvals consult factory

MagnaPro

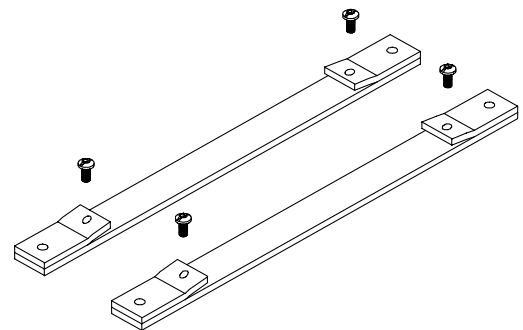
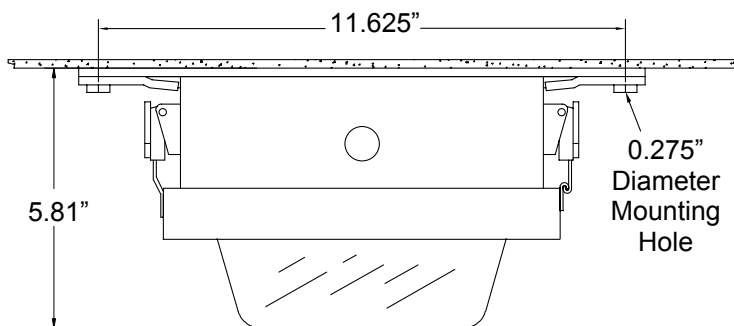
Dimensions



Nominal Length	Dimensions in Inches / Centimeters						Cubic Size Feet / Meter	Weight lb. / kg
	A	B	C	D	E	F		
2 Foot	5.6 / 15.3	27.25 / 69.2	28.0 / 71.1	9.5 / 24.2	8.0 / 20.3	8.75 / 22.2	1.31 / 0.0371	23.5 / 10.6
4 Foot	5.6 / 15.3	51.25 / 130.2	52.0 / 132.1	9.5 / 24.2	8.0 / 20.3	8.75 / 22.2	2.34 / 0.0663	33.0 / 15.0

Weights shown are for HO models.
Deduct 5 lb. / 2.2 kg. for all other ballast types.

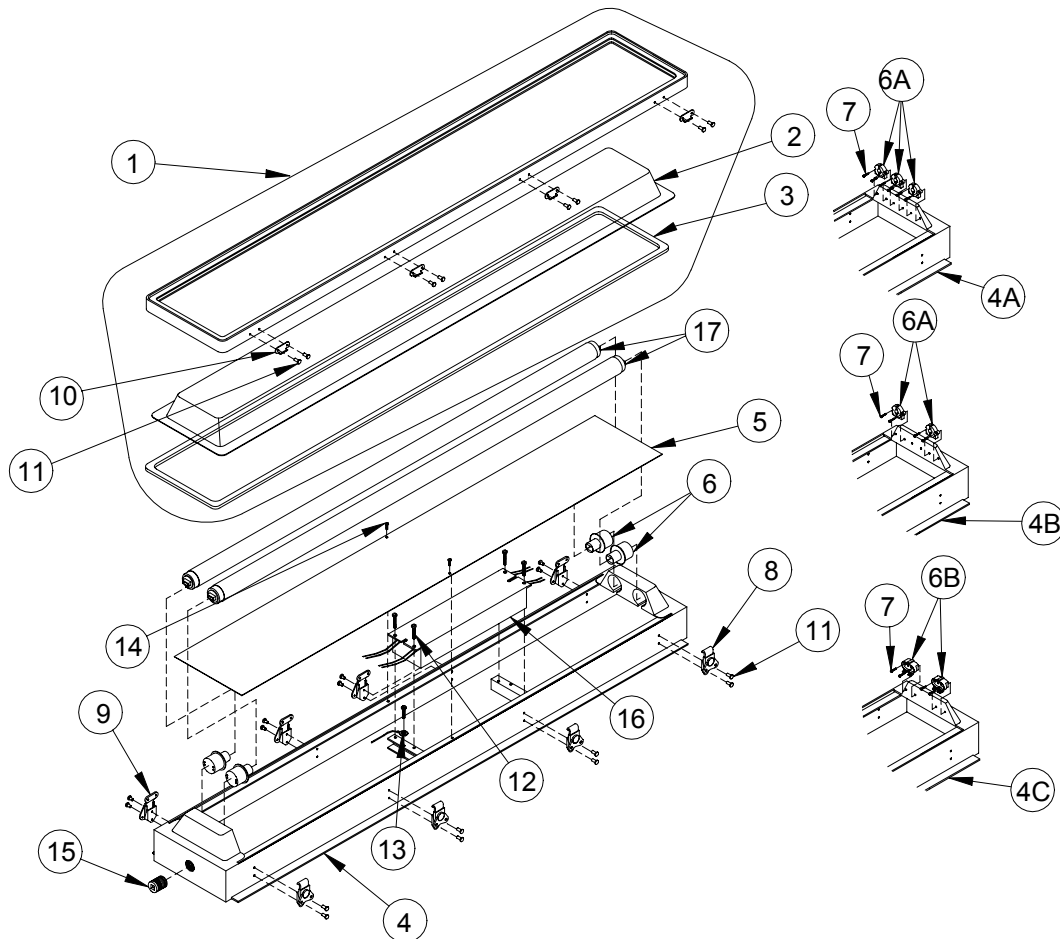
Mounting Options



MP1054MTK
Slide Style Surface
Mounting Kit

MagnaPro

Parts List



Item No.	Part No.	Description	No Req'd	Item No.	Part No.	Description	No Req'd
1	005-4000	Door frame assembly for all 4 ft. models	1	5*	005-2310	Reflector for all 2 ft. models, except HO	1
1*	005-2000	Door frame assembly for all 2 ft. models	1	6	758-0523	Socket, RDC, spring loaded for all HO models	4
2	005-4100	Lens, polycarbonate for all 4 ft. models	1	6A	754-7102	Socket, Bi-pin, for all T8 / T12 models	4 or 6
2*	005-2100	Lens, polycarbonate for all 2 ft. models	1	6B	752-6051	Socket, 2G11 type, for all CF models	2 or 4
3	005-4200	Gasket, neoprene for all 4 ft. models	1	6*	752-5766	Support, lamp, for all 2G11-CF models	2 or 4
3*	005-2200	Gasket, neoprene for all 2 ft. models	1	7	309-0404	Screw, socket mounting for all T8 / T12 models	8 or 12
4	005-4808	Housing for 4 ft., HO model	1	7A	309-0402	Screw, socket mounting for all 2G11-CF models	4 or 8
4A	005-4803	Housing for 4 ft., T8, 3 lamp model	1	8	035-1065	Catch lock for all models	3 or 4
4B	005-4804	Housing for 4 ft., T8 / T12, 2 lamp models	1	9	035-1066	Hinge lock for all models	3 or 4
4C	005-4802	Housing for 4 ft., 2G11-CF model	1	10	035-1064	Keeper plate for all models	3 or 4
4*	005-2408	Housing for 2 ft., HO model	1	11	035-1067	Rivet, closed end, for all models	24 or 32
4*	005-2403	Housing for 2 ft., T8, 3 lamp model	1	12	380-1006	Mounting hardware, ballast for all models	2 or 4 sets
4*	005-2404	Housing for 2 ft., T8, 2 lamp model	1	13	380-1435	Grounding hardware assembly for all models	1 set
4*	005-2402	Housing for 2 ft., 2G11-CF model	1	14	309-1005	Screw, reflector mounting for all models	2
5	005-4300	Reflector for 4 ft., HO model	1	15	350-0500	Plug, standard 1/2" npt. for all models	1
5*	005-4310	Reflector for all 4 ft. models, except HO	1	16		Ballast (see ballast chart page for type)	1 or 2
5*	005-2300	Reflector for 2 ft., HO model	1	17		Lamps (see lamp chart page for type)	2, 3 or 4

* Item not shown on drawing

MagnaPro

Notes: