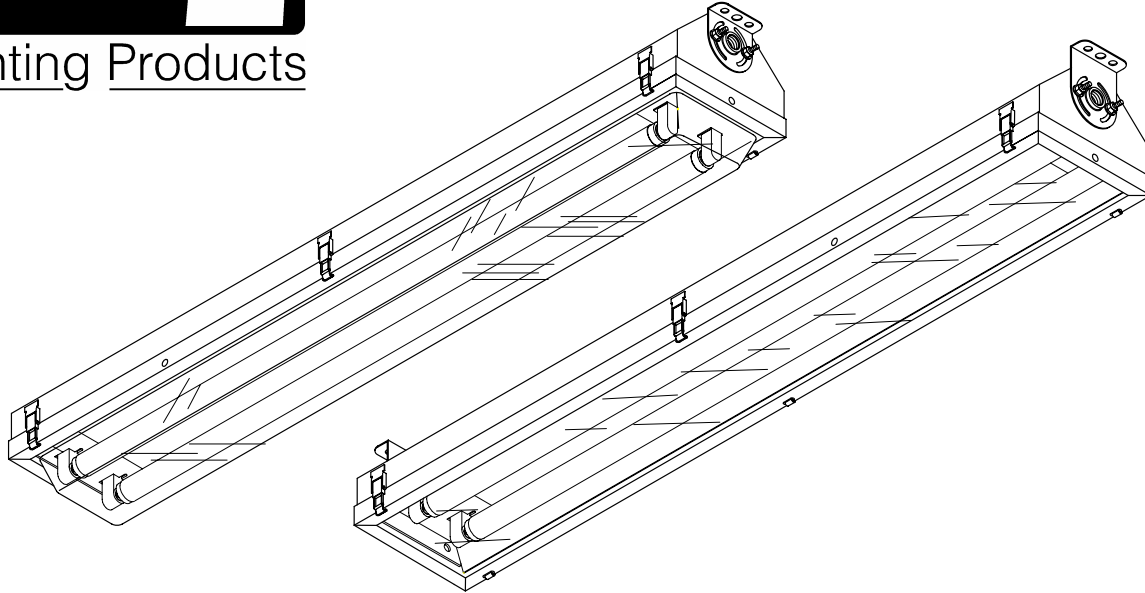


- CSA - Class I Div. 2 - Groups A, B, C, & D
- CSA - Class I Zone 2 - Groups IIA, IIB & IIC
- CSA - Class II Div. 1 & 2 - Groups E, F & G
- CSA - Type 4X
- UL 844 - Class I Div. 2 - Groups A, B, C, & D
- UL - Type 4X
- UL - Outdoor Marine Type (Salt Water)
- Meets Coast Guard Specifications (USA & Canada)



## AllPro

### Hazardous/Corrosive Area Fluorescent

#### Features:

- 2 models available, stainless steel or polyester powder coated aluminum housing.
- The 316 stainless steel model is for maximum corrosion resistance.
- Stainless steel lens frame and latches on all aluminum and stainless steel models.
- 2 lens designs, flat or drop styles are available for either the stainless steel or aluminum models. Standard lens is impact acrylic for drop style, polycarbonate for flat.
- Optional flat tempered glass or drop style polycarbonate lens are available.
- Lens frame hinged on side for easy lamp replacement.
- Molded neoprene gasket and lens is field replaceable.
- High reflectance baked white enamel reflector.
- Spring loaded sockets on HO models.
- Locking sockets on RS models made of industrial grade high temperature PBT.
- Wide beam allowing for 140 degree total lumen distribution.
- Fixture can be rotated on longitudinal axis for optimum light positioning.
- 2 & 4 foot models with 2 or 3 lamp, T8 or T12 designs.
- Compact fluorescent 2 or 3 lamp, 2 foot models & 4 lamp, 4 foot model.

#### Applications:

- |                                  |  |
|----------------------------------|--|
| ■ Offshore drilling rigs         | ■ Marine vessels                       |
| ■ Offshore production facilities | ■ Petrochemical plants                 |
| ■ Process facilities             | ■ Marine loading terminals             |
| ■ Manufacturing plants           | ■ Waste or sewage treatment facilities |

# AllPro

## Catalog Number Logic

**AP** **S** **4** - **2**    **1**    **1**    **0**    **M** - **\*\***  
(1)    (2)    (3)    (4)    (5)    (6)    (7)    (8)    (9)

### (1) Series - AllPro "AP"

Type 316 stainless steel or powder coated aluminum housing with stainless doorframe and latches.

### (2) Construction/Style

**A** - Aluminum housing in flat lens design  
**AD** - Aluminum housing in drop style lens design  
**S** - Stainless steel housing in flat lens design  
**SD** - Stainless steel housing in drop style lens design

### (3) Length (nominal)

**2** - 2 foot  
**4** - 4 foot

### (4) Number of Lamps

**1** - For 1 lamp  
**2** - For 2 lamps  
**3** - For 3 lamps (ballast types 1, 2 & 8 only)  
**4** - For 4 lamps (4 foot unit, ballast type 2 only)

### (5) Ballast Type

**1** - 265 mA, T8  
(0° F & -18° C starting temp, 50/60Hz electronic ballast)  
**2** - 270 mA, 2G11 - compact fluorescent  
(0 F & -18° C starting temp, 50/60Hz electronic ballast)  
**4** - 430 mA, T12, RS  
(+50° F & +10° C starting temp, magnetic ballast)  
**8** - 800 mA, T12, RS, HO  
(-20° F & -29° C starting temp, magnetic ballast)

### (6) Voltage / Frequency

**1** - 120 Volt 60 Hz.  
**2** - 220 Volt 50 Hz. (T12 magnetic only, not CSA listed)  
**3** - 220 to 240 Volt 50/60 Hz. (ballast types 1 & 2 only)  
**4** - 240 Volt 60 Hz. (T12 magnetic only)  
**5** - 277 Volt 60 Hz.  
**6** - 347 Volt 60 Hz.\*  
**7** - 120 to 277 Volt 50/60 Hz. (ballast types 1 only)

### (7) Mounting Style

**0** - End mounting, with feed-thru 3/4" npt. hubs.  
(AP1050MTK bracket kit supplied see mounting options)  
**1** - End mounting, with feed-thru 3/4" npt. hubs.  
(AP1051MTK bracket kit supplied see mounting options)  
**2** - Pendant mount, 3/4" npt. hubs  
(no mounting kit supplied)

### (8) Approvals:

**M** - UL and CSA dual labeled

### (9) Special Options

**EM1** - Emergency ballast, all areas, 700 lumen  
**L** - Lamps (energy saving except on HO)  
**P** - Polycarbonate lens (Std on Flat lens model)  
**TG** - Tempered glass lens (flat lens design only)

### Notes:

1. Lamps are not included.
2. All emergency units have integral test switch and charging circuit indicator lamp.
3. Consult factory for any catalog number or options not listed above for price and availability.

# AllPro

## Ordering Guide, 120 Volt Models

### Polycarbonate Flat Lens Type (Lamps not Included)

Nominal Length	Ballast Type	Lamp Type	Number of Lamps	Raw Lumen Output	Aluminum Catalog #	Stainless Steel Catalog #
Two Foot	Electronic	F17T8	2	2,502	APA2-2110C	APS2-2110C
			3	3,753	APA2-3110C	APS2-3110C
		FT40W/2G11	2	6,300	APA2-2210C	APS2-2210C
	Magnetic	F24T12/HO	2	2,689	APA2-2810C	APS2-2810C
			3	4,034	APA2-3810C	<b>Not Available</b>
Four Foot	Electronic	F32T8	2	6,962	APA4-2110C	APS4-2110C
			3	10,443	APA4-3110C	APS4-3110C
		FT40W/2G11	4	12,600	APA4-4210C	APS4-4210C
	Magnetic	F40/ES	2	4,770	APA4-2410C	APS4-2410C
			3	7,155	APA4-3410C	<b>Not Available</b>
		F48T12/HO	2	6,885	APA4-2810C	APS4-2810C
			3	10,328	APA4-3810C	<b>Not Available</b>

### Acrylic Drop lens Type (Lamps not Included)

Nominal Length	Ballast Type	Lamp Type	Number of Lamps	Raw Lumen Output	Aluminum Catalog #	Stainless Steel Catalog #
Two Foot	Electronic	F17T8	2	2,502	APAD2-2110C	APSD2-2110C
			3	3,753	APAD2-3110C	APSD2-3110C
		FT40W/2G11	2	6,300	APAD2-2210C	APSD2-2210C
	Magnetic	F24T12/HO	2	2,689	APAD2-2810C	APSD2-2810C
			3	4,034	APAD2-3810C	<b>Not Available</b>
Four Foot	Electronic	F32T8	2	6,962	APAD4-2110C	APSD4-2110C
			3	10,443	APAD4-3110C	APSD4-3110C
		FT40W/2G11	4	12,600	APAD4-4210C	APSD4-4210C
	Magnetic	F40/ES	2	4,770	APAD4-2410C	APSD4-2410C
			3	7,155	APAD4-3410C	<b>Not Available</b>
		F48T12/HO	2	6,885	APAD4-2810C	APSD4-2810C
			3	10,328	APAD4-3810C	<b>Not Available</b>

Notes: For ¾" pendant mounting style "2" change last number "0" to "2".

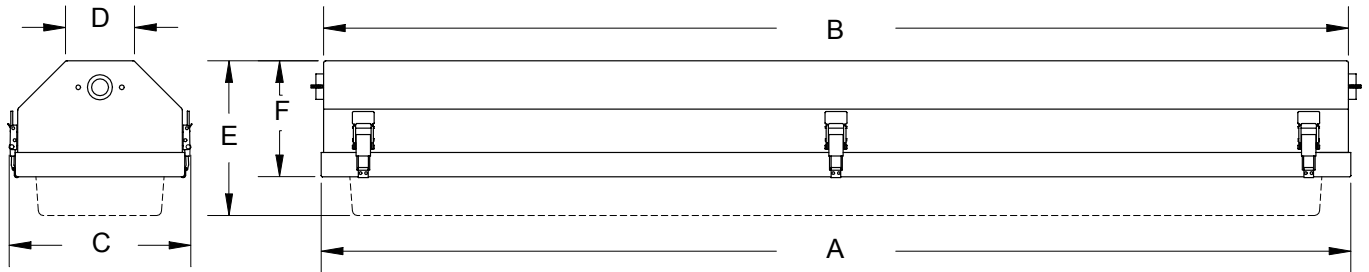
## Certification Guide

Magnetic ballast approved for 40 degree C ambient Electronic ballast approved for 55 degree C ambient		Class I Div. 2 Groups A, B, C & D		Class I Zone 2 Groups IIA, IIB & IIC	
Ballast Type	No. of Lamps	Approval	T-Rating	Approval	T-Rating
Electronic, 265mA, T8, RS	2 & 3	CSA/UL	T4	CSA	T3C
Electronic, 270mA, 2G11, RS	2 & 4	CSA/UL	T4	CSA	T3C
Magnetic, 430mA, T12, RS	2 & 3	CSA/UL	T4	CSA	T3C
Magnetic, 800mA, T12, HO	2 & 3	CSA/UL	T3C	CSA	T3C

For detailed test results and approvals consult factory

# AllPro

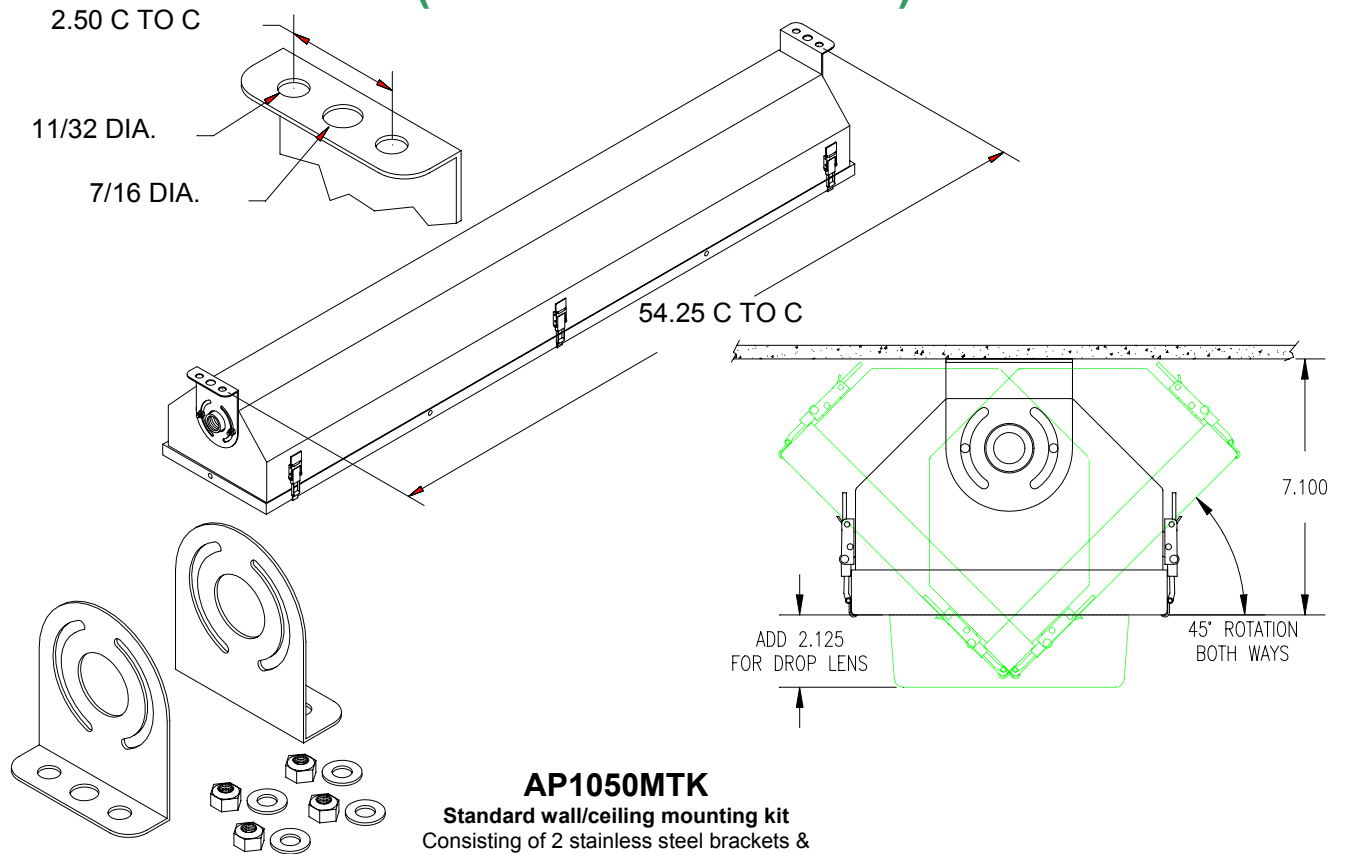
## Dimensions



Nominal Length	Dimensions in Inches / Centimeters						Cubic Size Feet / Meter	Weight lb. / kg
	A	B	C	D	E	F		
2 Foot	29.5 / 74.3	29.0 / 73.7	9.1 / 23.1	3.5 / 8.9	8.12 / 20.6	6.0 / 15.2	1.31 / 0.0371	33.0 / 15.0
4 Foot	53.3 / 135.4	53.0 / 134.6	9.1 / 23.1	3.5 / 8.9	8.12 / 20.6	6.0 / 15.2	2.34 / 0.0663	33.0 / 15.0

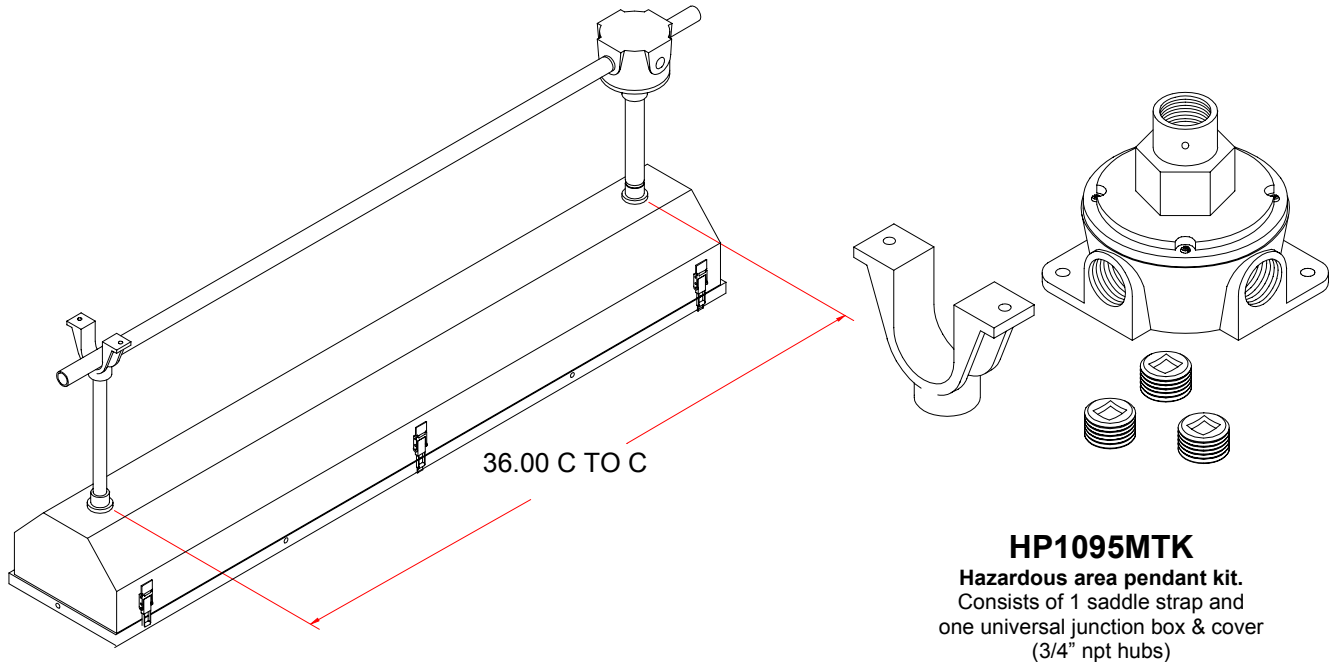
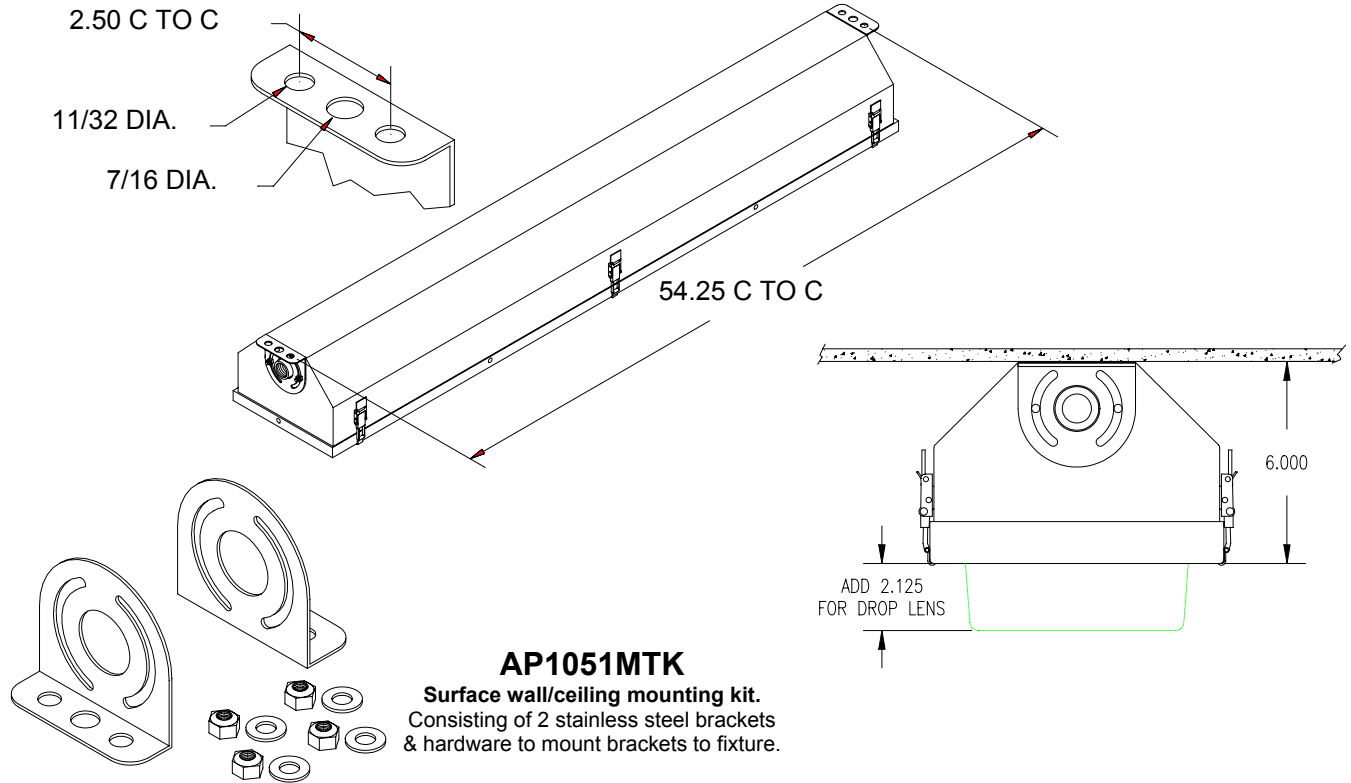
Dimension "E" is for drop style lens. Dimension "F" is for flat style lens.  
Weights shown are for HO models. Deduct 5 lbs. / 2.2 kg. for all other models.

## Standard Mounting (Included with fixture)



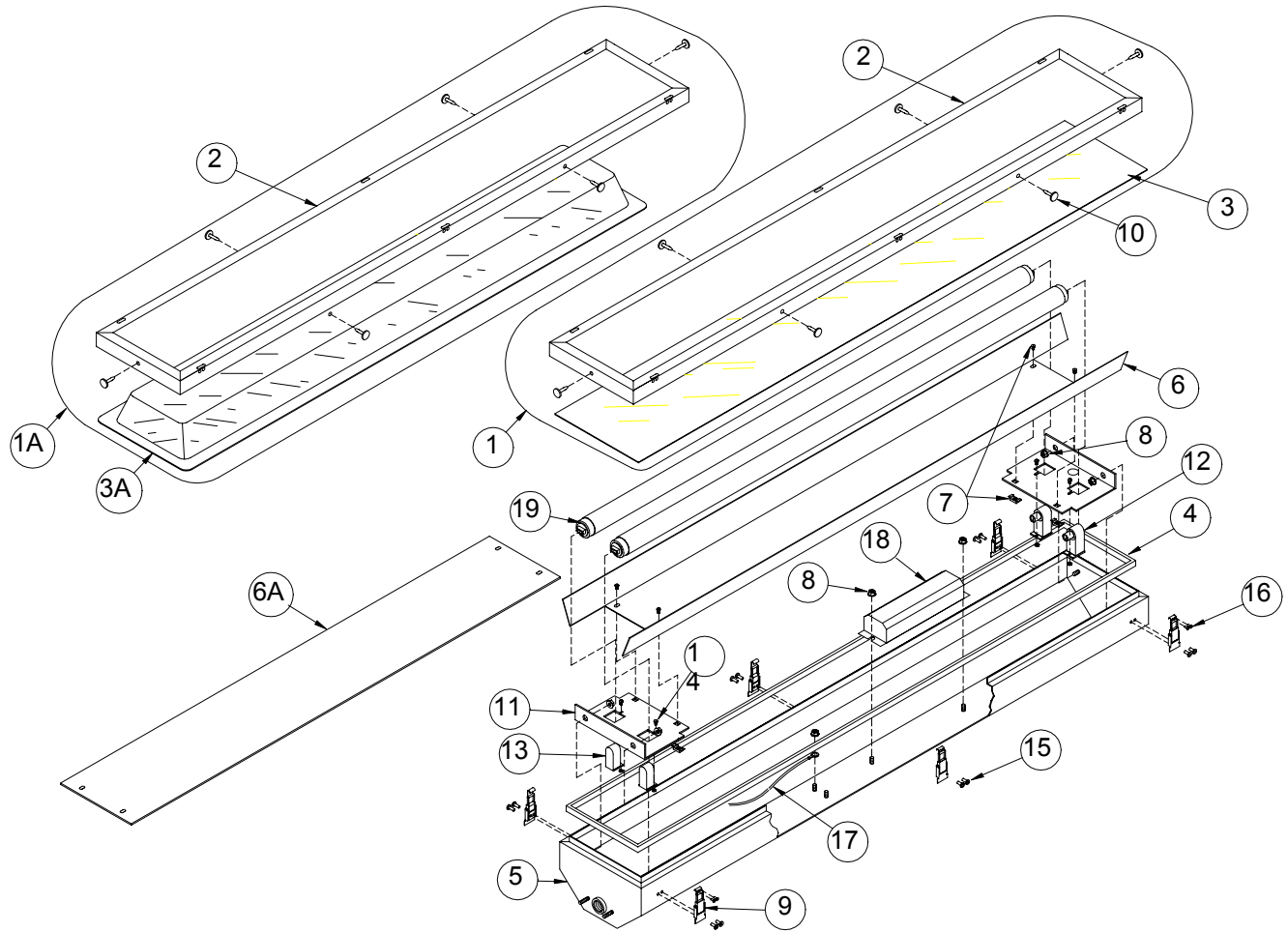
# AllPro

## Optional Mounting Types



# AllPro

## Parts List



Item No.	Part No.	Description	No Req'd	Item No.	Part No.	Description	No Req'd
1	015-4000	Door frame assem. c/w flat lens, 4 ft. model	1	6A*	015-2301	Reflector, drop style for all 2 ft. models	1
1*	015-2000	Door frame assem. c/w flat lens, 2 ft. model	1	7	381-0001	Hardware, reflector mounting for all models	4
1A	015-4001	Door frame assem. c/w drop lens, 4 ft. model	1	8	381-0002	Hardware, socket plate / ballast for all models	1-4
1A*	015-2001	Door frame assem. c/w drop lens, 2 ft. model	1	9	036-0001	Catch, stainless steel for all models	4 or 6
2	015-4010	Door frame without lens and clips, 4 ft model	1	10	036-1000	Lens clips, for all models	4 or 6
2*	015-2010	Door frame without lens and clips, 2 ft model	1	11	015-3028	Plate, socket mount for all HO models	2
3	015-4100	Lens, flat style, polycarbonate, 4 ft. models	1	11*	015-3024	Plate, socket mount for all T8/T12 RS models	2
3*	015-2100	Lens, flat style, polycarbonate, 2 ft. models	1	11*	758-3022	Plate, socket mount for all T5, CF models	2
3*	015-4110	Lens, flat style, tempered glass, 4 ft. models	1	12	758-0701	Socket, RDC, spring loaded for all HO models	2 or 4
3*	015-2110	Lens, flat style, tempered glass, 2 ft. models	1	12*	754-0085	Socket, spring loaded for T8 / T12, RS models	1, 2 or 3
3A	015-4101	Lens, drop style for all 4 ft. models	1	13	758-0700	Socket, RDC, fixed for all HO models	2 or 4
3A*	015-2101	Lens, drop style for all 2 ft. models	1	13*	754-0084	Socket, fixed, for T8 / T12, RS models	1, 2 or 3
4	015-4200	Gasket, neoprene for all 4 ft. models	1	13*	752-6050	Socket, 2G11 type, for all CF models	2, 4, 6 or 8
4*	015-2200	Gasket, neoprene for all 2 ft. models	1	14	312-6833	Mounting hardware, socket all models except CF	2, 4 or 6
5	015-4816	Housing, stainless steel 4 ft. models, feed thru	1	14*	312-6852	Screw, socket mounting for CF models	2, 4, 6 or 8
5*	015-2416	Housing, stainless steel 2 ft. models, feed thru	1	15	036-1001	Rivet, stainless steel, for all models	8 of 12
5*	015-4800	Housing, aluminum 4 ft. models, feed thru	1	16	036-1002	Rivet, catch to door frame	4
5*	015-2400	Housing, aluminum 2 ft. models, feed thru	1	17	381-0005	Ground wire	1
6	015-4300	Reflector, flat style for all 4 ft. models	1	18	Ballast (see ballast chart page for correct type)		1 or 2
6*	015-2300	Reflector, flat style for all 2 ft. models	1	19	Lamps (see lamp chart page for correct type)		2 or 4
6A	015-4301	Reflector, drop style for all 4 ft. models	1				

\* Items not shown on drawing.