

Battery Chargers - TVR Series



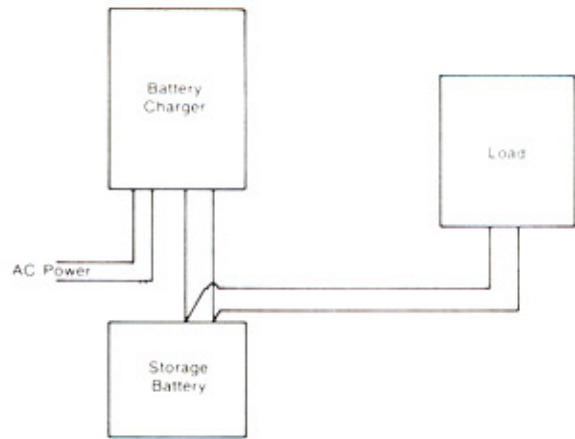
Battery chargers are used to convert energy from an AC source into a DC level for storage in a rechargeable battery.

Generally the energy is alternating current from a commercial source or a generator. This energy is rectified to direct current at the proper voltage and fed into a battery. The chargers are constant voltage devices which regulate the current depending upon the state of charge of the battery.

As the battery discharges, more current is supplied to recharge it. Should AC power fail, the charger will not consume energy from the battery. This assures full standby service from the battery to the load.

Automatic Power chargers are all solid state SCR regulated with no moving parts except meters. All components are conservatively rated and the entire charger is designed for use in the harsh maritime environment.

Some important features are current limiting transformer and input and output protective current interrupting devices. The dual output unit senses both batteries and directs the majority of the charging current to the battery with the lowest charge. All charges can be easily converted from 115 volt AC input to 240 volt AC input.



All models are approved by Factory Mutual for use in Class I, Division 2 Group C&D areas

Model	AC Input Volts*	DC Output Volts	DC Output Amps	Special Features	Weight
TVR 1012 HA	120/240V 50-60 HZ	12V	10 Amps	Single Output	46 lbs.
TVR 0824 HA	120/240 V 50-60 HZ	24V	8 Amps	Single Output	48 lbs.
TVR 1012D HA	120/240 V 50-60 HZ	12V	10 Amps	Dual Output	46 lbs.
TVR 0824D HA	120/240 V 50-60 HZ	24V	8 Amps	Dual Output	48 lbs.



NEMA 12 or NEMA 4X Enclosures are available, specify on order.

*Specify input voltage when ordering

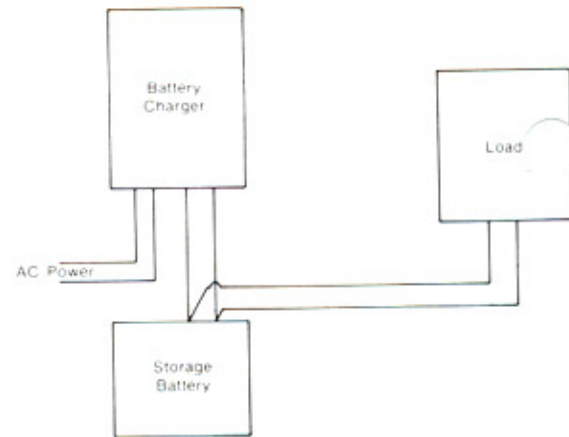


Battery Chargers - IBC Series

Battery chargers for light duty service, designed to meet the requirements for the majority of navigational aid power supply and similar applications where the features of the TVR series battery chargers are not required.

The IBC series chargers are available in splash-proof painted steel or anodized aluminum enclosures.

Optional accessories include $\pm 2\%$ accuracy meters, a filter package for use with loads sensitive to power supply ripple, and dual output single battery sensing to charge two batteries simultaneously.



Model	AC Input*	DC Output		Enclosure Type	Dimensions	Weight
		Volts	Max. Amps			
IBC 0612	120/240 vac 50/60 Hz	12v	6	Nema 12 Steel	14" x 12" x 6"	31 lbs.
IBC 0612W	120/240 vac 50/60 Hz	12v	6	Nema 12 Aluminum	14" x 12" x 6"	31 lbs.
IBC 0324	120/240 vac 50/60 Hz	24v	3	Nema 12 Steel	14" x 12" x 6"	31 lbs.
IBC 0324W	120/240 vac 50/60 Hz	24v	3	Nema 12 Aluminum	14" x 12" x 6"	31 lbs.

*Specify input voltage when ordering

