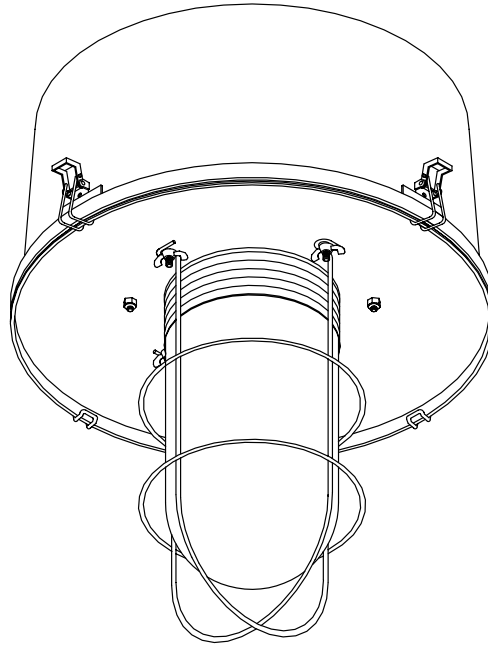




Lighting Products

- Class I, Division 2, Groups A, B, C & D
- UL 595 - Outdoor Marine Type (Salt Water)
- ABS
- UL Type 4X



# CorMax

## Corrosive Area Stainless Steel H.I.D. Fixture

### Features:

- Two models; stainless steel for maximum corrosion resistance or polyester powder coated aluminum.
- Four stainless steel catches provide **easy access to ballast assembly** for replacement and maintenance.
- Available in high pressure sodium and metal halide.
- Globes are heat and impact resistant and are internally fluted.
- Heavy duty stainless steel wire guard provides maximum protection of globe against foreign objects.
- One piece molded, high temperature silicone gasket provides a long lasting watertight seal.
- **Cast stainless steel or aluminum mounts.**
- **Optional electro-polish** available on stainless steel models.
- Quick electrical disconnect allows easy removal of ballast tray without the use of tools.
- Optional **dome or angle fiberglass reinforced polyester reflectors** are vented to allow convection of heat and provide up-light distribution to minimize glare.

### Applications:

- |  |  |
|--|--|
| <ul style="list-style-type: none"> <li>■ Offshore drilling rigs</li> <li>■ Offshore production facilities</li> <li>■ Process facilities</li> <li>■ Manufacturing plants</li> </ul> | <ul style="list-style-type: none"> <li>■ Marine vessels</li> <li>■ Petrochemical plants</li> <li>■ Marine loading terminals</li> <li>■ Waste or sewage treatment facilities</li> </ul> |
|--|--|



# CorMax

## Catalog Number Logic

**CM S-H 17-8-G-P2-\*\***

(1) (2) (3) (4) (5) (6) (7) (8)

**(1) Series - CorMax "CM"**

Hazardous area HID or compact fluorescent fixture for use where maximum corrosion protection is required. Mogul lamp only.

**(2) Housing / Mount Type**

**A** - Polyester powder-coated aluminum  
**S** - 316 stainless steel

**(3) Lamp Type**

**H** - Metal Halide (mogul base)  
**S** - High Pressure Sodium (mogul base)

**(4) Lamp Wattage**

**05** - 50 watt (HPS only)  
**07** - 70 watt (HPS or MH)  
**10** - 100 watt (HPS or MH)  
**15** - 150 watt (HPS only)  
**17** - 175 watt (MH only)

**(5) Voltage/Frequency**

**2** - 220 Volt, 50 Hz.  
**6** - 480 Volt, 60 Hz.  
**7** - 120/208/240/277 Volt, 60 Hz.  
**8** - 120/277/347 Volt, 60 Hz.

**(6) Guard**

**G** - Stainless steel guard

**(7) Mounting Style**

**B2** - 3/4" npt. wall mount  
**B3** - 1" npt. wall mount  
**C2** - 3/4" npt. ceiling mount  
**C3** - 1" npt. ceiling mount  
**P2** - 3/4" npt. rigid pendant mount  
**P3** - 1" npt. rigid pendant mount  
**S4** - 1 1/4" npt. 25° stanchion mount  
**S5** - 1 1/2" npt. 25° stanchion mount

**(8) Special Options**

**AR** - Angle reflector  
**DR** - Standard dome reflector  
**EP** - Electro-Polish (stainless steel only)  
**F** - Single fuse block with fuse  
**R** - Instant restart (HPS only)  
**S** - Auto shutoff starter

**Notes:**

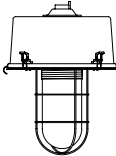
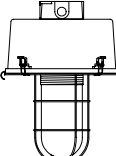
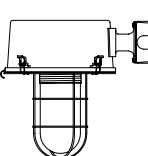
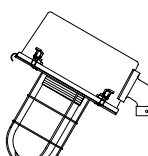
**Lamps not included.**

**Consult factory for any catalog number or options not listed above for price and availability.**

# CorMax

## Ordering Guide, Stainless Steel Models

120/277/347 Volt 60 Hz. c/w Globe & Guard

Lamp Type	Lamp Watts	Hub Size	Pendant Type 	Ceiling Type 	Wall Type 	Hub Size	25° Stanchion Type 	Shipping Weight* lbs. (kg.)
High Pressure Sodium	50	3 / 4" 1"	CMS-S05-8-G-P2 CMS-S05-8-G-P3	CMS-S05-8-G-C2 CMS-S05-8-G-C3	CMS-S05-8-G-B2 CMS-S05-8-G-B3	1-1/4" 1-1/2"	CMS-S05-8-G-S4 CMS-S05-8-G-S5	24 (10.9)
	70	3 / 4" 1"	CMS-S07-8-G-P2 CMS-S07-8-G-P3	CMS-S07-8-G-C2 CMS-S07-8-G-C3	CMS-S07-8-G-B2 CMS-S07-8-G-B3	1-1/4" 1-1/2"	CMS-S07-8-G-S4 CMS-S07-8-G-S5	25 (10.9)
	100	3 / 4" 1"	CMS-S10-8-G-P2 CMS-S10-8-G-P3	CMS-S10-8-G-C2 CMS-S10-8-G-C3	CMS-S10-8-G-B2 CMS-S10-8-G-B3	1-1/4" 1-1/2"	CMS-S10-8-G-S4 CMS-S10-8-G-S5	27 (11.4)
	150	3 / 4" 1"	CMS-S15-8-G-P2 CMS-S15-8-G-P3	CMS-S15-8-G-C2 CMS-S15-8-G-C3	CMS-S15-8-G-B2 CMS-S15-8-G-B3	1-1/4" 1-1/2"	CMS-S15-8-G-S4 CMS-S15-8-G-S5	28 (12.3)
Metal Halide	70	3 / 4" 1"	CMS-H07-8-G-P2 CMS-H07-8-G-P3	CMS-H07-8-G-C2 CMS-H07-8-G-C3	CMS-H07-8-G-B2 CMS-H07-8-G-B3	1-1/4" 1-1/2"	CMS-H07-8-G-S4 CMS-H07-8-G-S5	26 (12.7)
	100	3 / 4" 1"	CMS-H10-8-G-P2 CMS-H10-8-G-P3	CMS-H10-8-G-C2 CMS-H10-8-G-C3	CMS-H10-8-G-B2 CMS-H10-8-G-B3	1-1/4" 1-1/2"	CMS-H10-8-G-S4 CMS-H10-8-G-S5	26 (11.8)
	175	3 / 4" 1"	CMS-H17-8-G-P2 CMS-H17-8-G-P3	CMS-H17-8-G-C2 CMS-H17-8-G-C3	CMS-H17-8-G-B2 CMS-H17-8-G-B3	1-1/4" 1-1/2"	CMS-H17-8-G-S4 CMS-H17-8-G-S5	28 (12.7)

### Ordering Notes:

\*Shipping weights shown are for pendant mount: for ceiling mount add 1lb.(0.45 kg), for wall mount add 3 lbs.(1.4 kg), and for stanchion mount add 2 lbs.(0.9 kg)

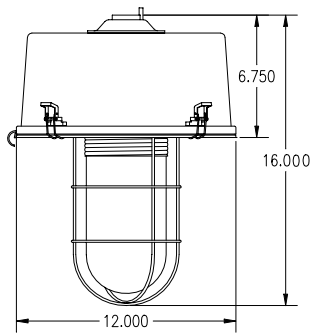
1. All fixtures (except compact fluorescent models) are shown with tri-tap ballast, 120/277/347 Volt 60 Hz. (see Catalog Number Logic page for alternate voltages).
2. All fixtures are shown with guard. To order fixture without guard, remove "G".
3. All MH and HPS fixtures are designed for mogul base lamps.
4. Verify hazardous location suitability using Certification Guide on next page or consult factory.

# CorMax

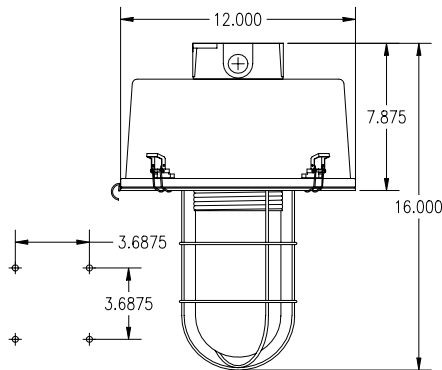
## Certification Guide (25° C Ambient)

Lamp Type	Watts	Class I, Division 2 Groups A, B, C & D Temperature Code	UL Marine Listed	NEMA 4X	Supply Wire Temp.(°C)	Rated Ambient Temp(°C)
		Globe, Guard and/or Reflector				
High Pressure Sodium	50	T3	Yes	Yes	90	40
	70	T3	Yes	Yes	90	40
	100	T2B	Yes	Yes	90	40
	150	T2B	Yes	Yes	90	40
Metal Halide	70	T2A	Yes	Yes	110	25
	100	T2A	Yes	Yes	110	25
	175	T2A	Yes	Yes	110	25

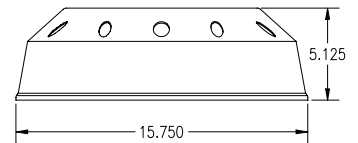
## Dimensions



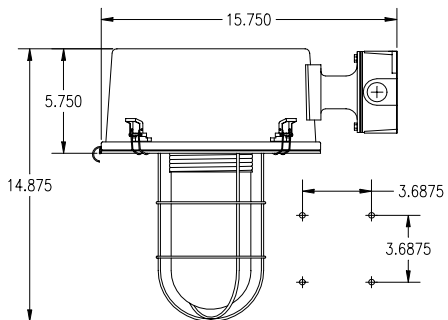
Pendant Mount



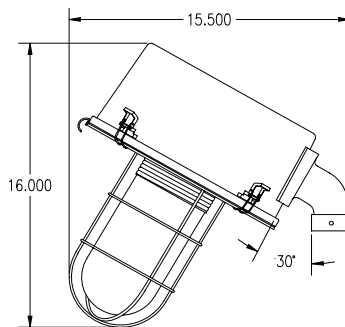
Ceiling Mount



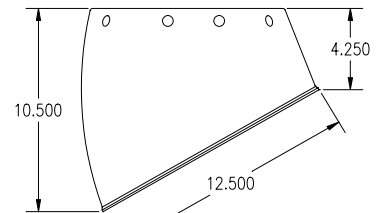
Dome Reflector



Wall Mount



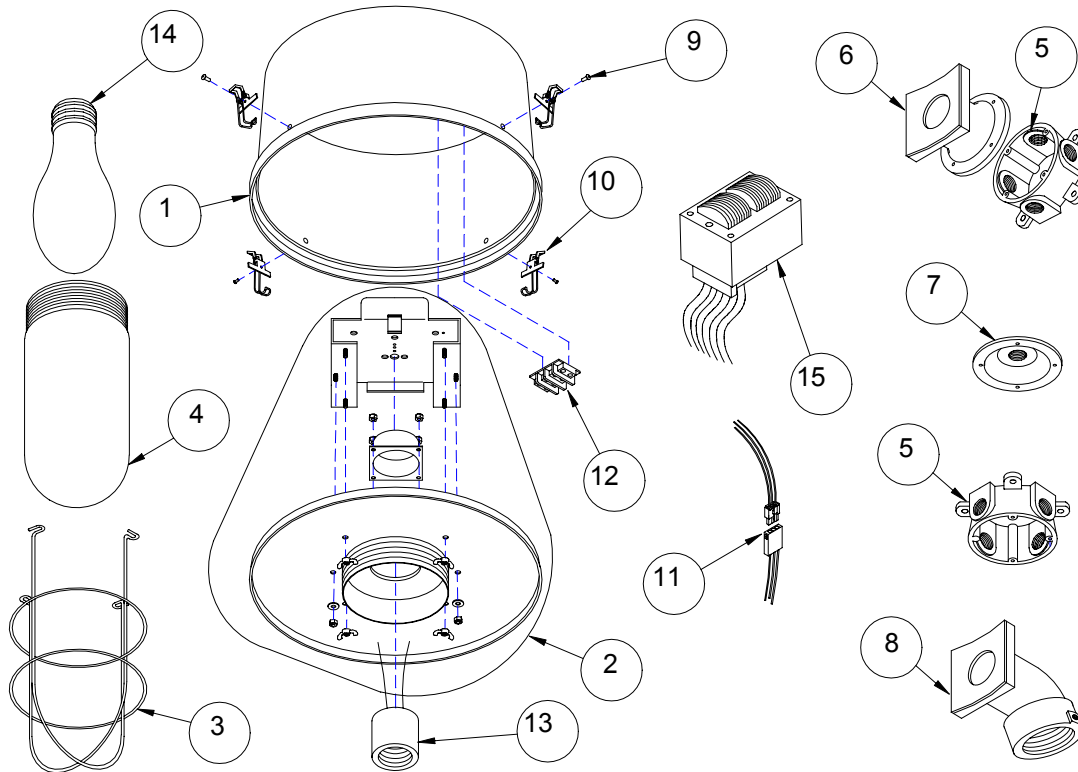
Stanchion Mount



30° Angle Reflector

# CorMax

## Parts List



Item No.	Part No.	Description	No Req'd
1	016-0010	Ballast tank, SS for pendant and ceiling mtg.	1
1*	016-0011	Ballast tank, SS for wall and stanchion mtg.	1
1*	056-0010	Ballast tank, Aluminum, pendant and ceiling mtg.	1
1*	056-0011	Ballast tank, Aluminum, wall and stanchion mtg.	1
2	016-1000	Ballast tray, stainless steel models	1
2	056-1000	Ballast tray, Aluminum models	1
3	GW200	Stainless steel wire guard, all models	1
4	GT200	Tempered glass globe, all models	1
5	016-1001	Ceiling / Wall mount / junction box, SS, 3/4" npt	1
5*	016-1002	Ceiling / Wall mount / junction box, SS, 1" npt	1
6	016-1003	Wall mount bracket SS	1
7	016-1004	Pendant mount, SS, 3/4" npt hub	1
7*	016-1005	Pendant mount, SS, 1" npt hub	1
8	016-1006	Stanchion mount, SS, 1-1/4" npt hub	1
8*	016-1007	Stanchion mount, SS, 1-1/2" npt hub	1
9	016-1008	Rivet, closed end, for all models	4
10	016-1009	Catch, stainless steel	4
11	016-2001	Quick disconnect wiring harness	1
12	016-2002	Terminal block	1
13	750-0000	Socket, mogul base	1
14	Lamps (see lamp section for lamp type)		1 or 2
15	Ballast (see ballast section for ballast type)		1 or 2

\* Items not shown in Drawings