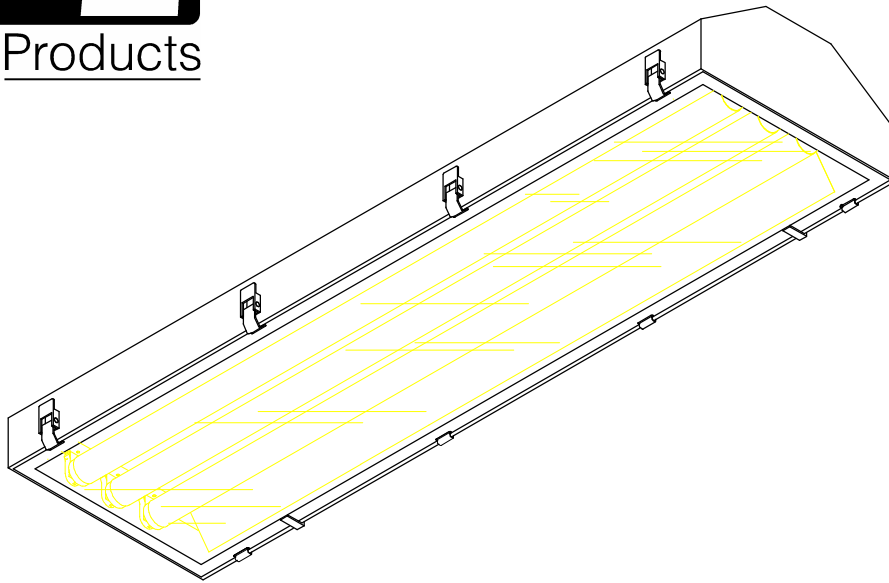




Lighting Products

- CSA - Class I Div. 2 - Groups A, B, C, & D
- CSA - Class I Zone 2 - Groups IIA, IIB & IIC
- CSA - Class II Div. 1 & 2 - Groups F & G
- CSA - Class III
- CSA - Type 3 R
- Enclosed & Gasketed



HazPro

Hazardous Area Fluorescent

Features:

- **Heavy duty 20 gauge** steel fixture housing.
- **Polyester powder coat** finish for corrosion resistance.
- **14 gauge lens frame**, hinged for easy lamp replacement.
- Standard clear 3/16" **tempered glass lens**.
- **Neoprene gasket** permanently mounted in lens frame.
- **Spring loaded sockets** on HO models.
- **Locking sockets** on RS models made of industrial grade **high temperature PBT**.
- Available in **pendant** or **feed-thru** hub design.
- **Highest lumen** output; for size, watt input for any **industrial fluorescent** fixture.
- **2 & 3 lamp T12** designs, 2 & 4 foot models.
- **2, 3 & 4 lamp T8** designs, 2 & 4 foot models.
- **2, 3 & 4 lamp T5** designs, 2 & 4 foot models.
- **2 & 3 lamp, 2 foot and 4 & 6 lamp, 4 foot models in compact fluorescent** designs.

Applications:

- | | |
|--------------------------------|--------------------------------|
| ■ Grain elevators | ■ Fuel storage areas |
| ■ Pulp & Paper mills | ■ Munitions storage facilities |
| ■ Coal handling facilities | ■ Metal refining plants |
| ■ Chemical & curing facilities | ■ Coal storage silos |



HazPro

Catalog Number Logic

HP **4** - **2** **1** **1** **0** **C** - ******
(1) (2) (3) (4) (5) (6) (7) (8)

(1) Series - HazPro “HP”

White powder coated steel, 20 gauge housing and 14 gauge door. Standard lens is tempered glass.

(2) Length (nominal)

- 2 - 2 foot
- 4 - 4 foot

(3) Number of Lamps

- 2 - For 2 lamps
- 3 - For 3 lamps
- 4 - For 4 lamps (ballast type 1, 2 & 5)
- 6 - For 6 lamps (ballast type 2 only)

(4) Ballast Type

- 1 - 265 mA, T8
(0° F & -18° C starting temp, 50/60Hz electronic ballast)
- 2 - 270 mA, 2G11 - compact fluorescent
(0° F & -18° C starting temp, 50/60Hz electronic ballast)
- 4 - 430 mA, T12, RS
(+50° F & +1°0 C starting temp, magnetic ballast)
- 5 - T5-HO
(0° F & -18° C starting temp, 50/60Hz electronic ballast)
- 8 - 800 mA, T12, RS, HO
(-20° F & -29° C starting temp, magnetic ballast)

(6) Voltage / Frequency

- 1 - 120 Volt 60 Hz.
- 4 - 240 Volt 60 Hz. (T12 magnetic only)
- 5 - 277 Volt 60 Hz.
- 6 - 347 Volt 60 Hz.
- 7 - 120 to 277 Volt 50/60 Hz. (ballast type 1, 2 & 5)

(6) Mounting Style

- 0 - Pendant mounting (2- ½” npt. hubs)
- 1 - Feed-thru mounting (2- ½” npt. hubs)
- 2 - Pendant / feed-thru mounting (4- ½” npt. hubs)
- 3 - Pendant mounting (2- ¾” npt. hubs)
- 4 - Feed-thru mounting (2- ¾” npt. hubs)
- 5 - Pendant / feed-thru mounting (4- ¾” npt. hubs)
(Adjustable, wall & chain brackets shown in mounting options)

(7) Labels:

- C - CSA (C/US)

(8) Special Options

- A - Acrylic lens
- EM1 - Emergency ballast, all areas, 700 lumen
- EM2 - Emergency ballast, Class II & Type 3R, 700 lumen
- EM3 - Emergency ballast, Class II & Type 3R, 1200 lumen
- HR - High reflectance reflector
- L - Lamps (energy saving except on HO)
- P - Polycarbonate lens
- S - Switch, on/off
- SG - Silicone lens gasket

Notes:

1. Lamps are not included
2. All emergency units have integral test switch and charging circuit indicator lamp
4. Consult factory for any catalog number or options not listed above for price and availability.

HazPro

Ordering Guide, 120 Volt Models

| Fixture Length | Ballast Type | Lamp Type | Number of Lamps | Raw Lumen Output | Catalog Number |
|----------------|--------------|-----------|-----------------|------------------|----------------|
| Four Foot | Electronic | F32T8 | 2 | 6,962 | HP4-2110C |
| | | | 3 | 10,443 | HP4-3110C |
| | | | 4 | 13,924 | HP4-4110C |
| | | F54T5HO | 2 | 10,000 | HP4-2570C |
| | | | 3 | 15,000 | HP4-3570C |
| | | | 4 | 20,000 | HP4-4570C |
| | FT40W/2G11 | 4 | 12,600 | HP4-4210C | |
| | | 6 | 18,900 | HP4-6210C | |
| | Magnetic | F40/ES | 2 | 4,770 | HP4-2410C |
| | | | 3 | 7,155 | HP4-3410C |
| | | F48T12/HO | 2 | 6,885 | HP4-2810C |
| | | | 3 | 10,328 | HP4-3810C |

Notes: For 2 ft. models (not available in 430 mA) change "HP4" to "HP2" in catalog number.
Catalog number shown is for ½"npt. Pendant, see Catalog Number Logic for optional mounting variations.

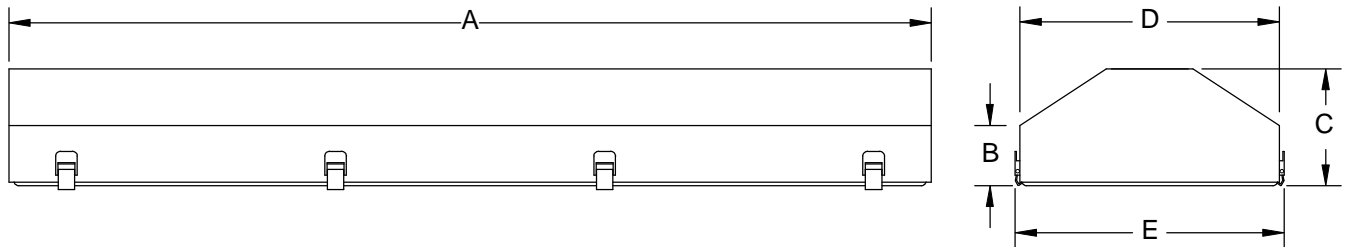
Certification Guide

| Magnetic ballast approved @ 40 C ambient Electronic ballast approved @ 55 C ambient | | Class I Div. 2 Groups A, B, C & D | | Class I Zone 2 Groups IIA, IIB & IIC | | Class II Div. 1 & 2 Class III | |
|--|--------------|--------------------------------------|----------|---|----------|----------------------------------|--------|
| Ballast Type | No. of Lamps | Approval | T-Rating | Approval | T-Rating | Approval | Groups |
| Electronic, 265mA, T8, RS | 2, 3 & 4 | CSA | T5 | CSA | T5 | CSA | F & G |
| Electronic, 270mA, 2G11, RS | 2, 3, 4 & 6 | CSA | T5 | CSA | T5 | CSA | F & G |
| Electronic, T5 HO | 2, 3 & 4 | CSA | T5 | CSA | T5 | CSA | F & G |
| Magnetic, 430mA, T12, RS | 2 & 3 | CSA | T4A | CSA | T4 | CSA | F & G |
| Magnetic, 800mA, T12, HO | 2 & 3 | CSA | T4 | CSA | T4 | CSA | F & G |

For detailed test results and approvals consult factory

HazPro

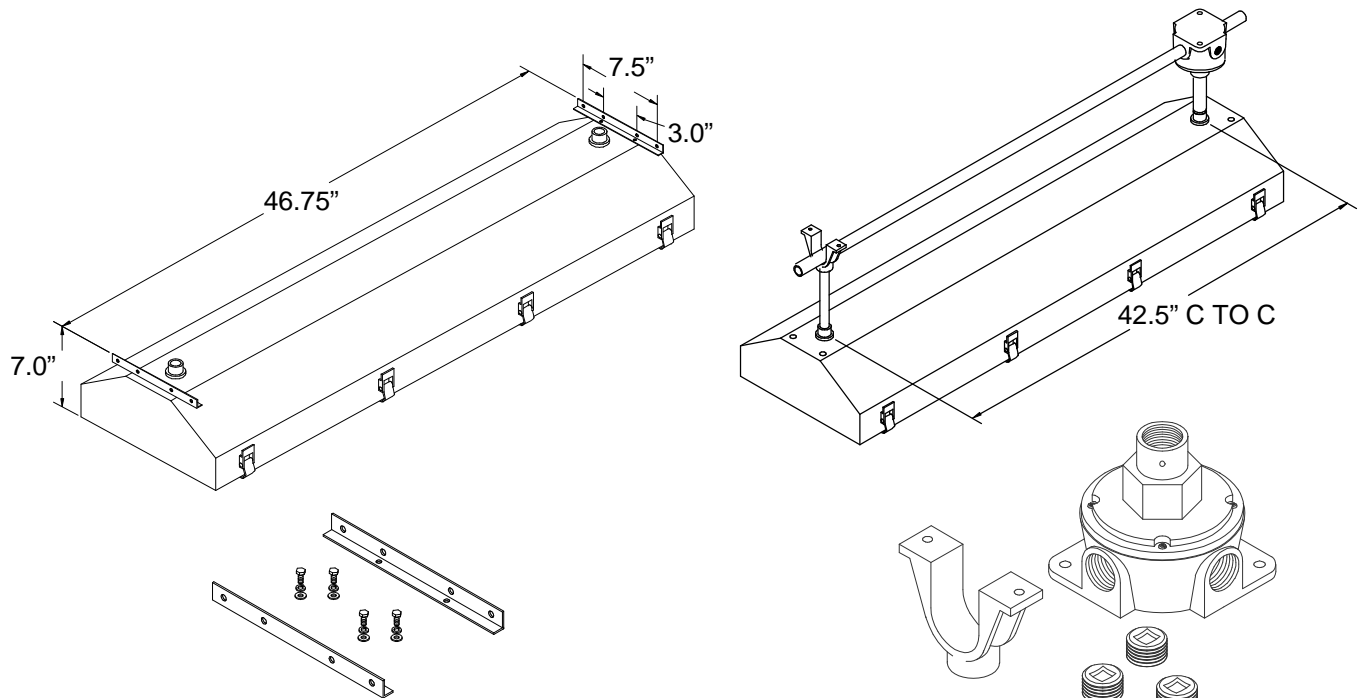
Dimensions



| Nominal Length | Dimensions in Inches / Centimeters | | | | | Cubic Size Feet / Meter | Weight lb. / kg |
|----------------|------------------------------------|-----------|------------|-------------|-------------|-------------------------|-----------------|
| | A | B | C | D | E | | |
| 2 Foot | 24.0 / 60.9 | 3.2 / 7.6 | 6.2 / 15.3 | 13.5 / 34.3 | 14.4 / 36.6 | 2.69 / 0.0761 | 32.8 / 14.9 |
| 4 Foot | 48.0 / 121.9 | 3.2 / 7.6 | 6.2 / 15.3 | 13.5 / 34.3 | 14.4 / 36.6 | 4.84 / 0.1371 | 46.8 / 21.3 |

Weights shown are for 2 lamp HO model add 8 lb. / 3.6 kg. for 3 lamp HO model
Deduct 5 lb. / 2.2 kg. for all other 2 lamp models

Mounting Options



HP1093MTK

Chain mounting kit.

Consisting of 2 stainless steel chain brackets & hardware to mount brackets to fixture.

HP1095MTK

Hazardous area pendant kit.

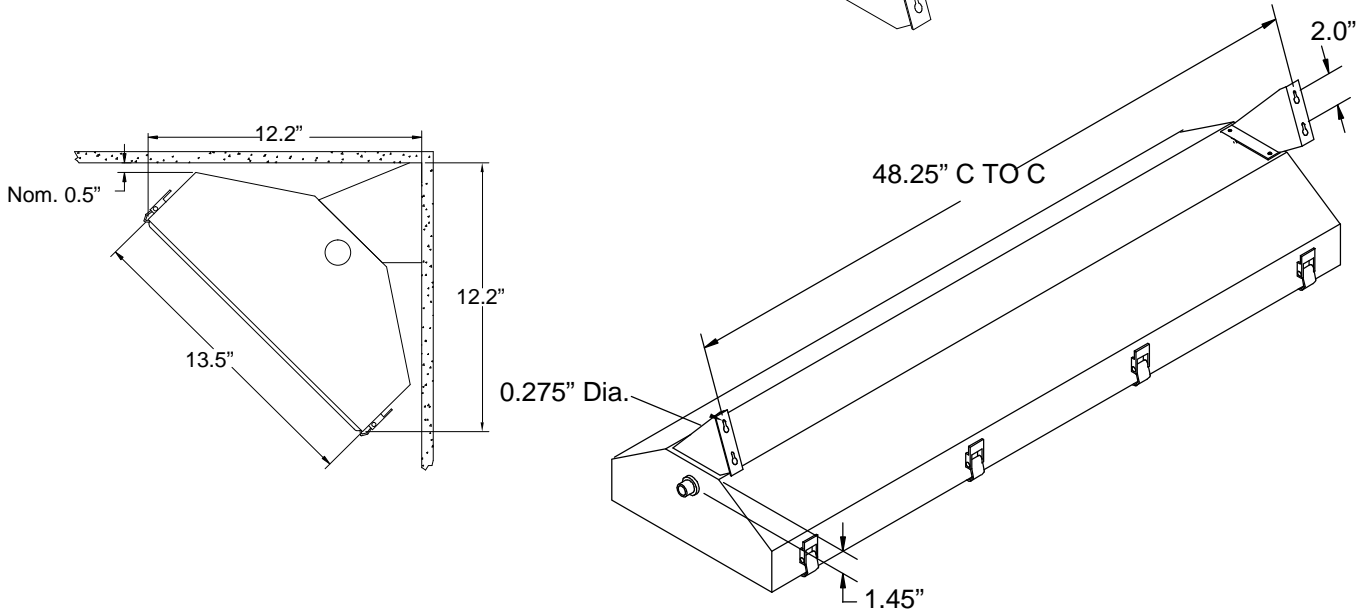
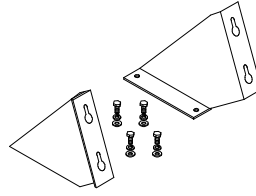
Consists of 1 saddle strap and one universal junction box & cover (3/4" npt hubs)

HazPro

HP1099MTK

Fixed wall mounting kit.

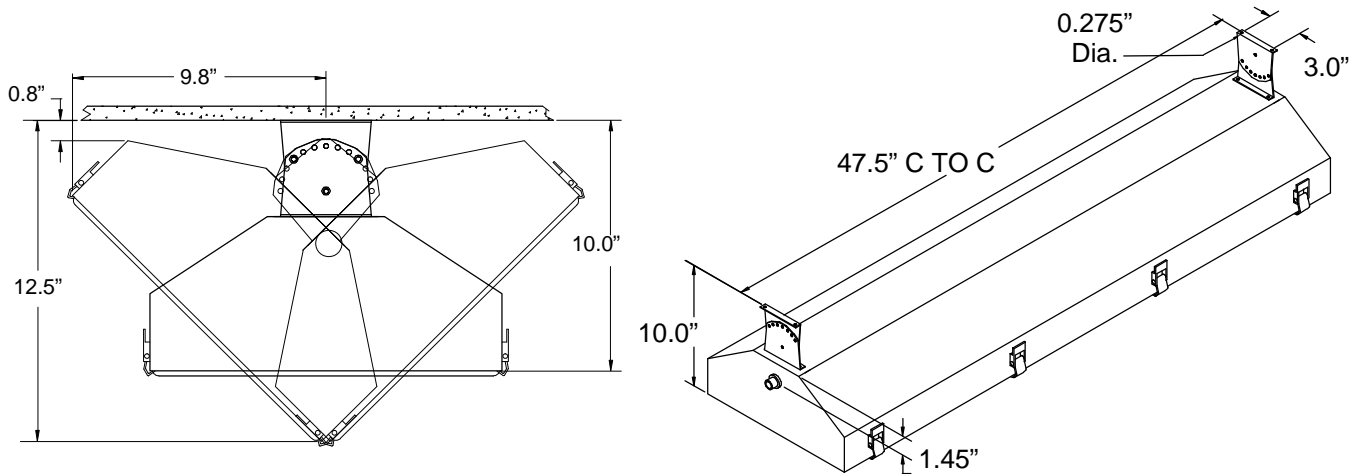
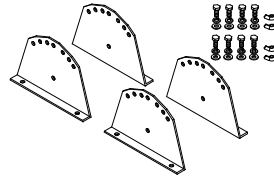
Consisting of 2 angled stainless steel wall brackets & hardware to mount brackets to fixture.



HP1097MTK

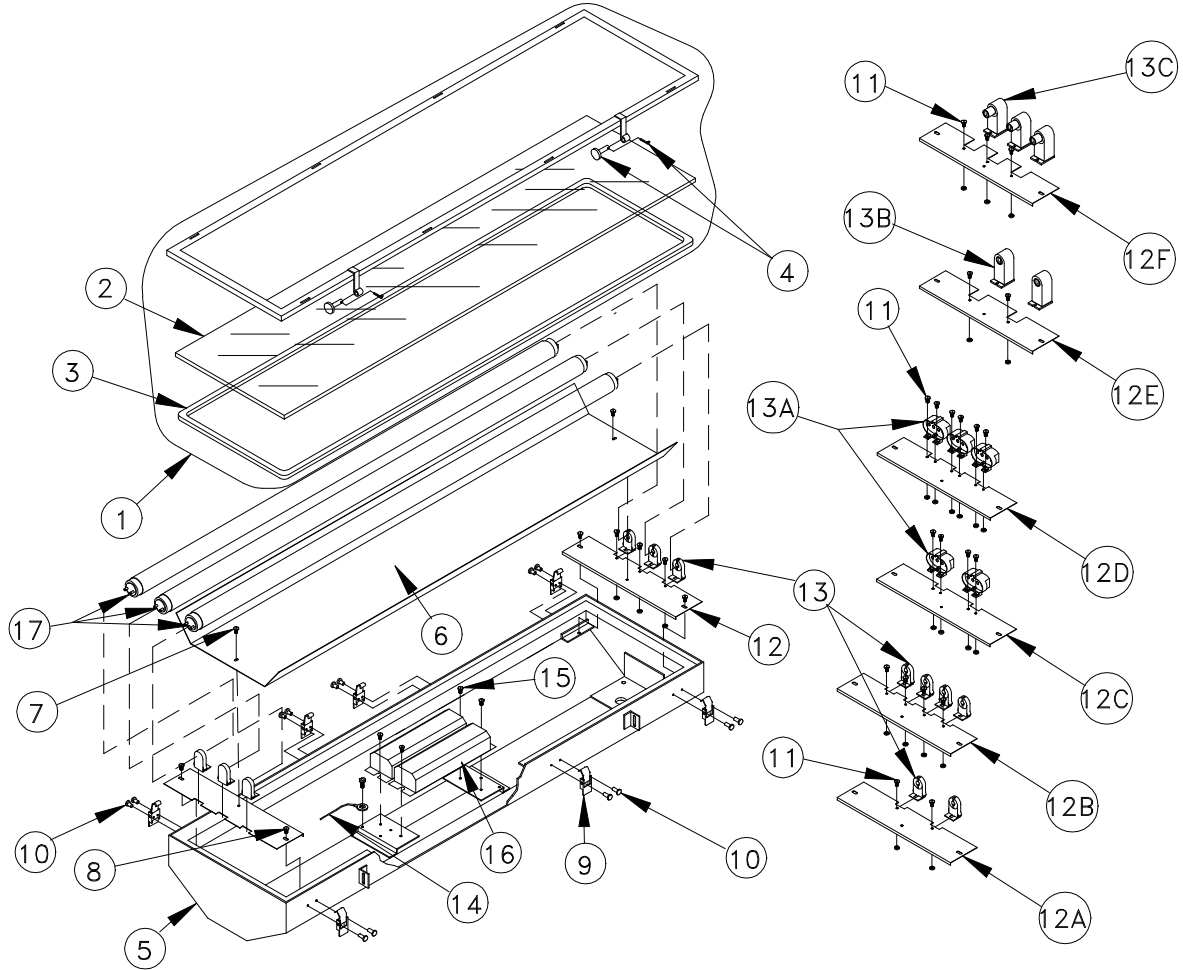
Adjustable mounting kit.

Consisting of 2 pairs of stainless steel brackets & hardware to mount brackets to fixture.



HazPro

Parts List



| Item No. | Part No. | Description | No Req'd | Item No. | Part No. | Description | No Req'd |
|----------|----------|---|----------|----------|----------|--|-------------|
| 1 | 006-4000 | Door frame c/w glass lens & gasket. 4 ft. model | 1 | 12 | 006-3034 | Socket plate, 3 lamp T8 / T12 models, except HO | 2 |
| 1* | 006-2000 | Door frame c/w glass lens & gasket. 2 ft. model | 1 | 12A | 006-3024 | Socket plate, 2 lamp T8 / T12 models, except HO | 2 |
| 2 | 006-4110 | Lens, tempered glass. 4 ft. models | 1 | 12B | 006-3044 | Socket plate, 4 lamp T8 models | 2 |
| 2* | 006-2110 | Lens, tempered glass. 2 ft. models | 1 | 12C | 006-3022 | Socket plate, 2 lamp, 2 ft. / 4 lamp, 4 ft. CF model | 2 |
| 3 | 006-4200 | Gasket, neoprene. 4 ft. models | 1 | 12D | 006-3032 | Socket plate, 3 lamp, 2 ft. / 6 lamp, 4 ft. CF model | 2 |
| 3* | 006-2200 | Gasket, neoprene. 2 ft. models | 1 | 12E | 006-3028 | Plate, socket mount, 2 lamp HO models | 2 |
| 4 | 380-2003 | Hinge pin assembly for all models | 2 sets | 12F | 006-3038 | Plate, socket mount, 3 lamp HO models | 2 |
| 5 | 006-4400 | Housing, pendant mount, 4 ft. models | 1 | 13 | 754-8701 | Socket, Bi-pin, for all T8 / T12 models, except HO | 4, 6 or 8 |
| 5* | 006-2400 | Housing, pendant mount, 2 ft. models | 1 | 13A | 752-6050 | Socket, 2G11 type, for all CF models | 2,3,4 or 6 |
| 6 | 006-4300 | Reflector for all 4 ft. models | 1 | 13* | 752-5766 | Support, lamp, for all CF models | 2,3,4 or 6 |
| 6* | 006-2300 | Reflector for all 2 ft. models | 1 | 13B | 758-0700 | Socket, RDC, fixed for all HO models | 2 or 3 |
| 7 | 309-1003 | Screw, reflector mounting for all models | 2 | 13C | 758-0701 | Socket, RDC, spring loaded for all HO models | 2 or 3 |
| 8 | 380-1810 | Mounting hardware, socket plate for all models | 4 sets | 14 | 380-1435 | Grounding hardware assembly for all models | 1 set |
| 9 | 035-2065 | Catch, for all models | 4 or 8 | 15 | 380-1812 | Mounting hardware, ballast for all models | 2 or 4 sets |
| 10 | 035-1067 | Rivet, closed end, for all models | 8 or 16 | 16 | | Ballast (see ballast chart page for correct type) | 1 or 2 |
| 11 | 380-6811 | Mounting hardware, socket for all models | 4 to 12 | 17 | | Lamps (see lamp chart page for correct type) | 1 - 6 |

* Items not shown on drawing

HazPro