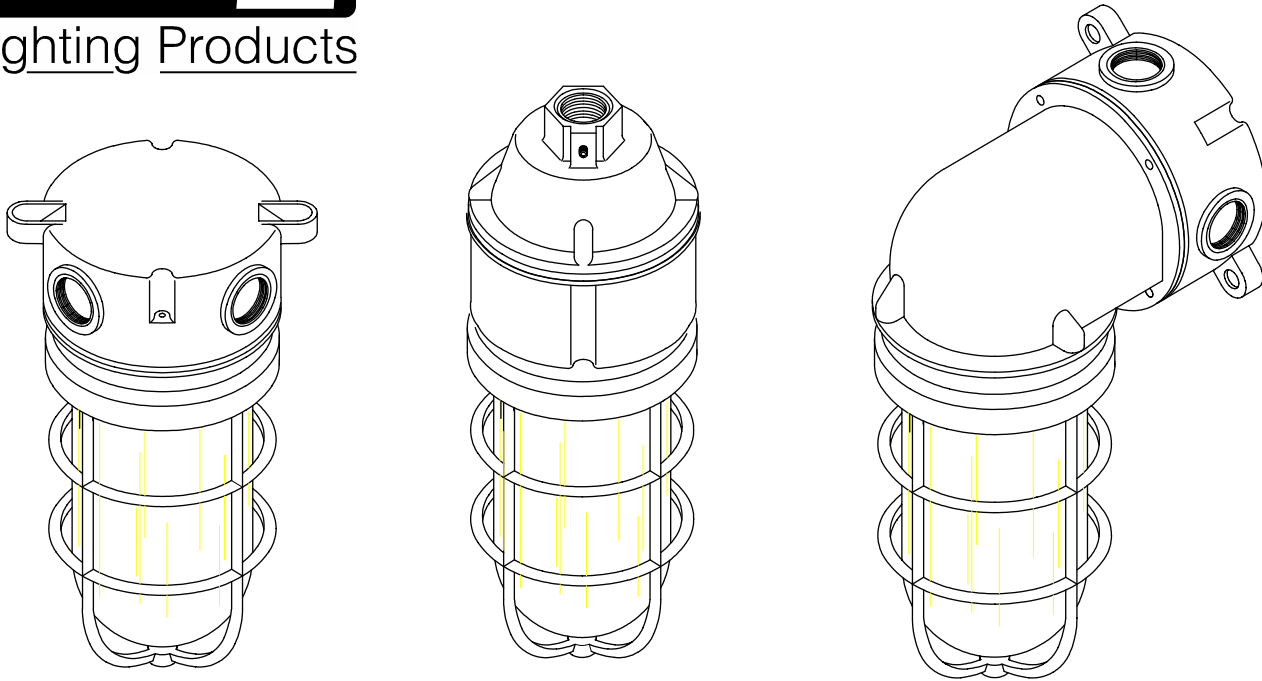




Lighting Products

- CSA - Class I Div. 2 - Groups A, B, C, & D
- CSA - Class I Zone 2 - Groups IIA, IIB & IIC
- CSA - Class II Div. 2 - Groups F & G
- CSA - Class III
- CSA - Type 4
- Enclosed & Gasketed



IP-Exacta

Non-Metallic

Incandescent, HPS & Compact Fluorescent fixtures

Features:

- Injected polymeric housing for **high impact & corrosion resistant** applications.
- Two models available, **enclosed & gasketed** or **hazardous area watertight**.
- **Incandescent** model, 150 watt maximum A-21 lamp.
- **High pressure sodium** models (35 or 50 watt medium base lamps).
- **Compact fluorescent** models available up to 32 watts for longer lamp life and energy savings.
- Models with **tempered glass or polycarbonate globes**. (prismatic and colored globes available).
- **Three mounting styles**: pendant, ceiling and wall ($\frac{3}{4}$ " npt. hubs).
- Optional **polymeric guard** for use with glass globes.
- Optional **polycarbonate prismatic reflector** for architectural applications.
- **Silicone gaskets** for high temperature and corrosive areas.

Applications:

- Walkways & tunnels
- Agricultural facilities
- Marine applications
- Chemical storage areas
- Oil drilling rigs (land or offshore)
- Food processing plants
- Security lighting
- Architectural lighting applications



IP-Exacta

Catalog Number Logic

IPE **H** - **15I** - **1** **GC** **GP** **C** - **X**
(1) (2) (3) (4) (5) (6) (7) (8)

(1) Series - Injected Polymeric Exacta "IPE"

Non-metallic fixture with glass or polycarbonate globe for incandescent, high pressure sodium or compact fluorescent lamps.

(2) Model

H - Hazardous area

V - Vapor proof

(3) Lamp Wattage & Type

15I - 150 watt max. incandescent

09F - 9 watt fluorescent

13F - 13 watt fluorescent

18F - 18 watt fluorescent

26F - 26 watt fluorescent

32F - 32 watt fluorescent

35S - 35 watt high pressure sodium

50S - 50 watt high pressure sodium

(4) Voltage / Frequency

1 - 120 Volt 60 Hz.

2 - 240 Volt 50/60 Hz. (incandescent only)

3 - 277 Volt 60 Hz. (18 to 32 Watt fluorescent only)

(5) Globe Type

CG - Coated (plastic) glass

(for food handling areas) (min 100 pieces)

GC* - Standard glass, clear

PC* - Polycarbonate, clear

PP - Polycarbonate, prismatic

TG - Tempered glass

* For colored globes replace "C" with first letter of color required. (ie., "GR" for red glass globe.) Colors available: amber, blue, green, red and white

Globe use - mounting warning:

Glass globes 150 watt maximum, any mounting position

Polycarbonate globe 100 watt maximum, base up only

Polycarbonate globe 60 watt maximum, any mounting position

(6) Guard

GP - Guard, polymeric (for glass globes only)

GW - Guard, stainless steel wire

(7) Mounting Options

C - Ceiling mount, four 3/4" npt. hubs

P - Pendant mount, 3/4" npt. hub

W - Wall mount & outlet box, four 3/4" npt. hubs

(8) Special Options

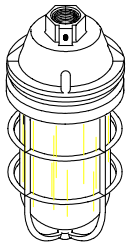
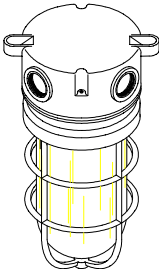
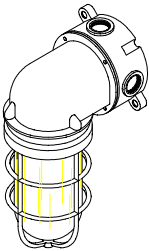
L - Lamp installed.

RP - Reflector, prismatic (not available for wall mount models, if guard is required only type "GP" is available)

Consult factory for any catalog number or options not listed above for price and availability.

IP-Exacta

Ordering Guide

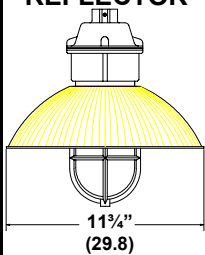
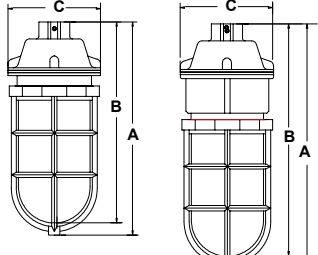
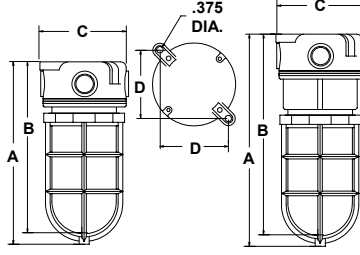
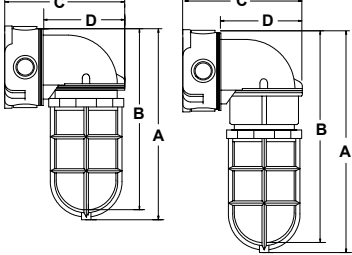
Mounting	Lamp Type	Lamp Watts	Hazardous Location	Vapor Proof	Shipping Weight	Shipping Volume
 Pendant	Incandescent	150	IPE H-15I-1GC GP P	IPE V-15I-1GC GP P	2.5 lbs.(1.15kg.)	0.5ft ³
	Compact Fluorescent	9	IPE H-09F-1GC GP P	IPE V-09F-1GC GP P	3.1 lbs.(1.4kg.)	0.8ft ³
		13	IPE H-13F-1GC GP P	IPE V-13F-1GC GP P		
		18	IPE H-18F-1GC GP P	IPE V-18F-1GC GP P		
		26	IPE H-26F-1GC GP P	IPE V-26F-1GC GP P		
		32	IPE H-32F-1GC GP P	IPE V-32F-1GC GP P		
	High Pressure Sodium	35	IPE H-35S-1GC GP P	IPE V-35S-1GC GP P	3.7 lbs.(1.7kg.)	
		50	IPE H-50S-1GC GP P	IPE V-50S-1GC GP P	4.1 lbs.(1.9kg.)	
 Ceiling	Incandescent	150	IPE H-15I-1GC GP C	IPE V-15I-1GC GP C	2.9 lbs.(1.3kg.)	0.5ft ³
	Compact Fluorescent	9	IPE H-09F-1GC GP C	IPE V-09F-1GC GP C	3.5 lbs.(1.6kg.)	0.8ft ³
		13	IPE H-13F-1GC GP C	IPE V-13F-1GC GP C		
		18	IPE H-18F-1GC GP C	IPE V-18F-1GC GP C		
		26	IPE H-26F-1GC GP C	IPE V-26F-1GC GP C		
		32	IPE H-32F-1GC GP C	IPE V-32F-1GC GP C		
	High Pressure Sodium	35	IPE H-35S-1GC GP C	IPE V-35S-1GC GP C	4.1 lbs.(1.85kg.)	
		50	IPE H-50S-1GC GP C	IPE V-50S-1GC GP C	4.5 lbs.(2.05kg.)	
 WALL	Incandescent	150	IPE H-15I-1GC GP W	IPE V-15I-1GC GP W	3.5 lbs.(1.6kg.)	0.5ft ³
	Compact Fluorescent	9	IPE H-09F-1GC GP W	IPE V-09F-1GC GP W	4.2 lbs.(1.9kg.)	0.8ft ³
		13	IPE H-13F-1GC GP W	IPE V-13F-1GC GP W		
		18	IPE H-18F-1GC GP W	IPE V-18F-1GC GP W		
		26	IPE H-26F-1GC GP W	IPE V-26F-1GC GP W		
		32	IPE H-32F-1GC GP W	IPE V-32F-1GC GP W		
	High Pressure Sodium	35	IPE H-35S-1GC GP W	IPE V-35S-1GC GP W	4.8 lbs.(2.2kg.)	
		50	IPE H-50S-1GC GP W	IPE V-50S-1GC GP W	5.2 lbs.(2.4kg.)	

Notes:

1. All fixtures shown are 120 Volt, 60 Hz. For other voltages see Catalog Number Logic.
2. All fixtures shown have clear glass globes. If polycarbonate globe is required replace "GC" with "PC". See Catalog Number Logic for tempered glass or colored globes.
3. Wall mounted fixtures are shown with outlet box. If outlet box is not required replace "W" with "WB".
4. If stainless steel wire guard is required replace "GP" with "GW" and add .28 lbs. (0.13 kg.) to shipping weight.

IP-Exacta

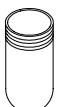


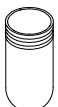
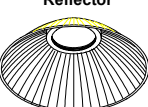


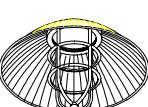

Dimensions

PRISMATIC REFLECTOR	PENDANT MOUNT		CEILING MOUNT		WALL MOUNT	
	INCANDESCENT	HPS or FLUORESCENT	INCANDESCENT	HPS or FLUORESCENT	INCANDESCENT	HPS or FLUORESCENT
 <p>11 1/4" (29.8)</p>						
TYPE	INCANDESCENT	HPS or FLUORESCENT	INCANDESCENT	HPS or FLUORESCENT	INCANDESCENT	HPS or FLUORESCENT
A*	10.25 (26.0)	12.00 (30.5)	10.00 (25.4)	11.75 (29.8)	11.25 (28.6)	13.00 (33.0)
B	9.50 (24.1)	11.25 (28.6)	9.25 (23.5)	11.00 (27.9)	10.5 (26.7)	12.25 (31.1)
C	4.50 (11.4)	4.50 (11.4)	4.62 (11.7)	4.62 (11.7)	7.50 (19.1)	7.50 (19.1)
D	--	--	3.75 (3.75)	3.75 (9.5)	5.125 (13.0)	5.125 (13.0)

Notes:

- * Add 1/2" (1.3 cm.) if steel wire guard is required.
- All dimensions are in inches (cm.).

Components & Accessories

Globes	Catalog No.	Weight lbs. (kg.)	Prismatic Globe and Reflectors	Catalog No.	Weight lbs. (kg.)	Guards	Catalog No.	Weight lbs. (kg.)
Clear* Glass 	G150C	1.1 lbs. (.5 kg.)	Prismatic polycarbonate Globe 	PP100	.22 lbs. (.1 kg.)	Polymeric Guard 	GP150	0.22 lbs. (.1 kg.)
Tempered Glass 	GT150	1.1 lbs. (.5 kg.)	Prismatic Polycarbonate Reflector 	RPPE**	2.8 lbs. (1.3 kg.)	Cast Guard 	GC150	1.0 lbs. (.45 kg.)
Clear*Polycarbonate 	P100C	.22 lbs. (.1 kg.)	Prismatic Polycarbonate Reflector c/w Guard 	RPPG**	3.1 lbs. (1.4 kg.)	Steel Wire Guard 	GW150	0.5 lbs. (.22 kg.)

* For colored globes change the suffix "C" to the color required; ie "R" for red.

** Reflectors cannot be used with wall mount model.