

Molded Fiberglass Buoys

The Automatic Power molded fiberglass buoys incorporate superior design and construction characteristics which provide stable, long-life marking of channels, bays, rivers, and lakes. Offshore versions are also available.

A smooth outside 8 mil Gel-Coat red, white, green or yellow film prevents fiberglass from weathering to the surface and insures resistance to color fading. It also provides good adhesive surfaces for retroreflective markings.

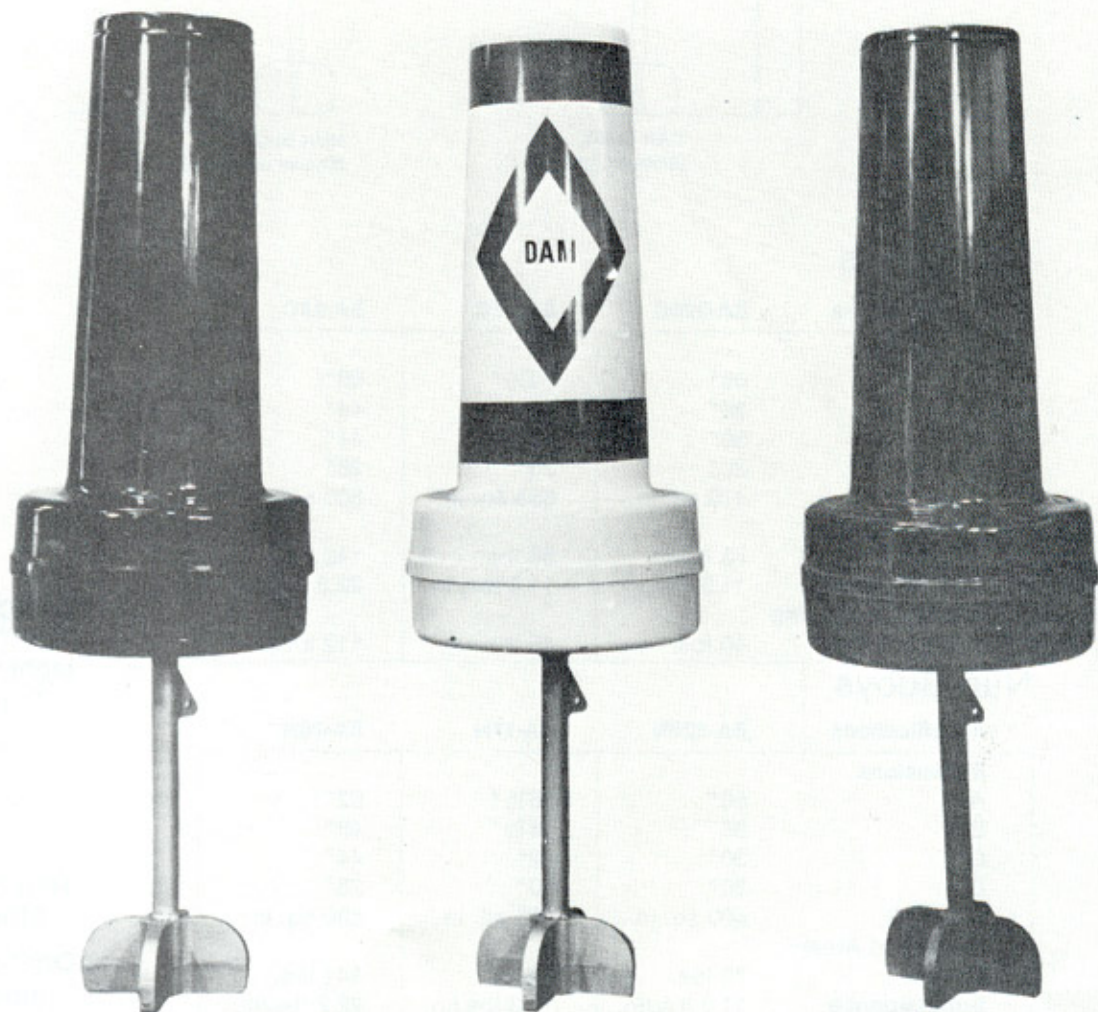
Polyurethane closed-cellular foam completely fills the buoy.

The counterweight is made of cast iron

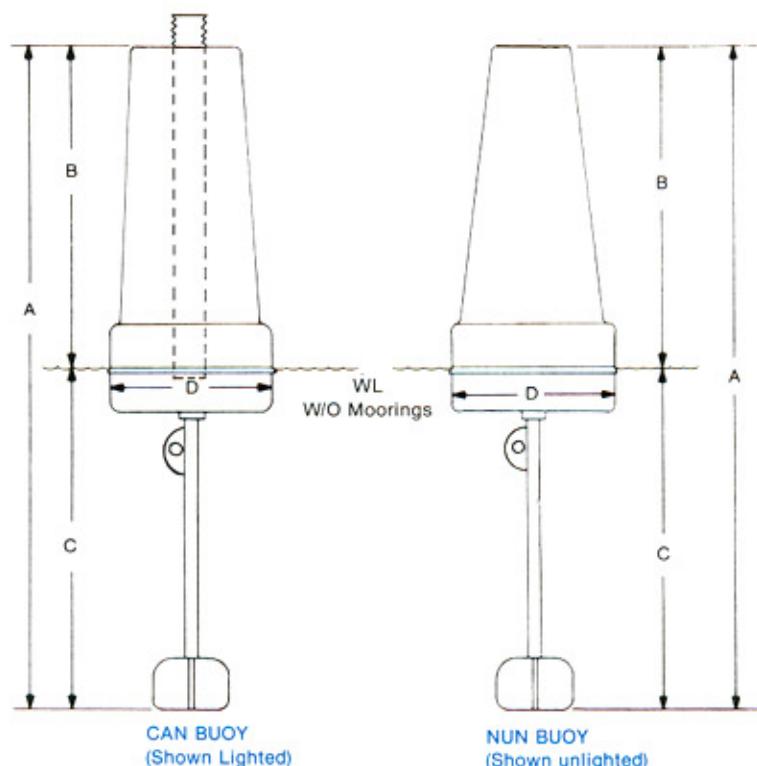
and has a flat bottom to provide a stand for the buoy during storage. The finned design provides stability in wind and current. Angle of heel is less than 10° in a 20 mph wind.

The counterweight assembly is rigidly attached to a 3/16" steel plate which is bolted to the molded bottom of the buoy. This spreads normal stress throughout the hull which virtually eliminates the possibility of the counterweight breaking off the buoy body.

Both lighted and unlighted buoys are available. Colors and markings suitable for all systems of buoyage can be supplied.



 **Automatic Power Inc**



Can Buoys

Specifications	BA-323C	BA-17C	BA-28C
Dimensions			
A	66"	80½"	88"
B	36"	38¼"	44"
C	30"	42¼"	44"
D	20"	20"	28"
Daymark (Projected Area)	470 sq. in.	655 sq. in.	800 sq. in.
Weight	73 lbs.	86 lbs.	142 lbs.
Submergence	11.3 lbs./in.	11.3 lbs./in.	22.2 lbs./in.
Maximum mooring Weight	40 lbs.	45 lbs.	112 lbs.

Nun Buoys

Specifications	BA-323N	BA-17N	BA-28N
Dimensions			
A	66"	86½"	92"
B	36"	44½"	48"
C	30"	42"	44"
D	20"	20"	28"
Daymark (Projected Area)	400 sq. in.	655 sq. in.	830 sq. in.
Weight	73 lbs.	84 lbs.	141 lbs.
Submergence	11.3 lbs./in.	11.3 lbs./in.	22.2 lbs./in.
Maximum Mooring Weight	40 lbs.	45 lbs.	112 lbs.

Note: Drawings are general outline only, the exact shape of these buoys vary with type.

OPTIONS

- Light with Batteries
- Internal or External radar reflector
- Thru rod and lifting eye
- Offshore modifications
- Colors and markings



Automatic Power Inc