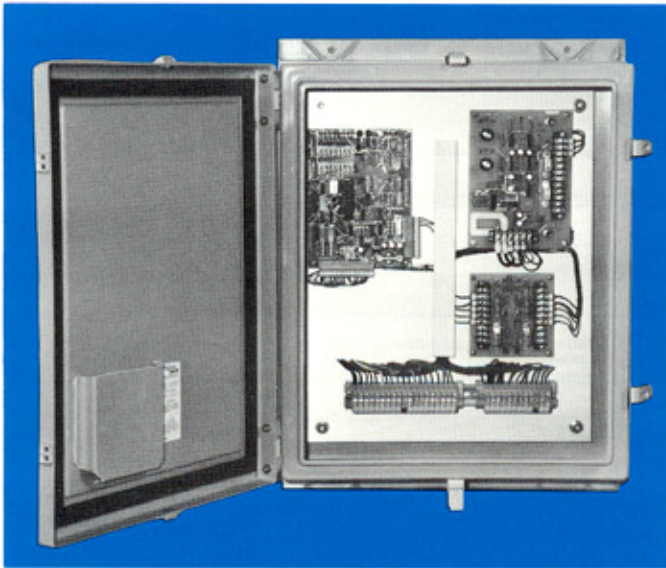


Noman 200 Aids to Navigation Monitor



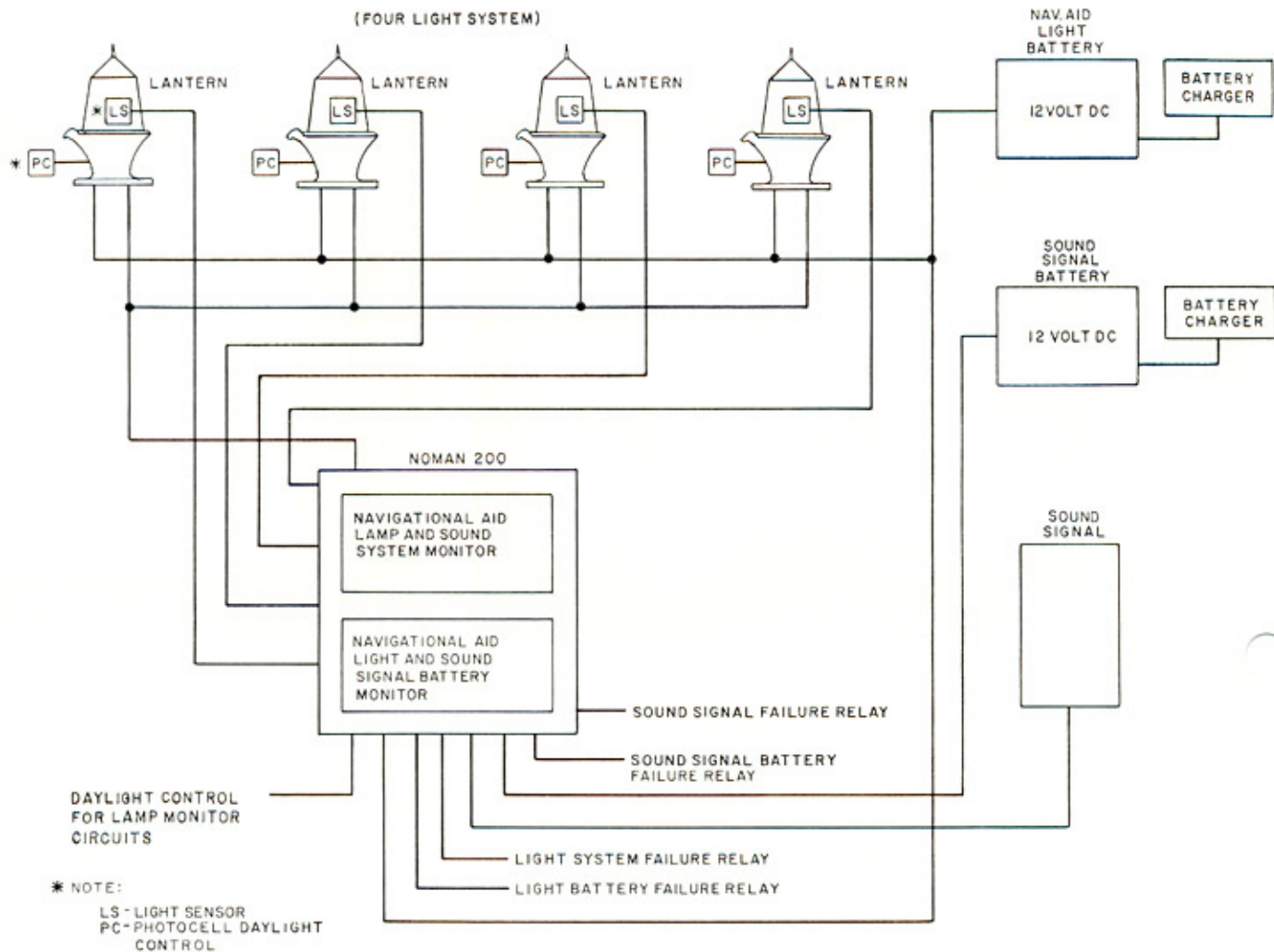
The NOMAN (Normal Operations Monitor Aids to Navigation) is designed to monitor an aids to navigation system and provide a contact closure for an out of tolerance condition. It consists of sensing circuits capable of the simultaneous checking of from one to twenty four individual lanterns for normal operation; a battery monitor for checking the light system and sound signal system batteries; and sensing circuits to check the DC current of the sound signal system for normal current drain. Two Form "C" contacts are provided for each of the monitored functions.

The navigation lights monitoring section of the NOMAN consists of an individual light sensor placed in each lantern in such a manner as to be illuminated when the lamp is on.

Each light sensor is connected to an input of the NOMAN monitor board. The light monitor circuit is a microprocessor based system which checks each lantern's light sensor for illumination when the lantern timer is on and for no illumination when the timer is in eclipse.

The DC current for the sound signal is routed through the monitor circuit and checked for proper current level by an on board instrumentation amplifier.

The NOMAN 200 is suitable for application to either AC or DC powered equipment.



Automatic Power Inc