

PPR SERIES

NON METALLIC PLUGS AND RECEPTACLES



APPLICATIONS

- ▼ Land Based/Offshore Drilling
- ▼ Industrial Wet Locations.
- ▼ Marine Environments



FEATURES

- ▼ Water tight, wet locations.
- ▼ Rated 20A 300VAC Max.
- ▼ High impact resistant.
- ▼ Non Metallic corrosion resistant enclosures.
- ▼ Stainless steel hardware.
- ▼ Captive gasket on cover to ensure water tight seal.
- ▼ Available in single or double gang types.
- ▼ Beam clamp mounting.
- ▼ Compatible with existing brands.
- ▼ Complete Range:
 - 2P3W
 - 3P4W
 - In-Line



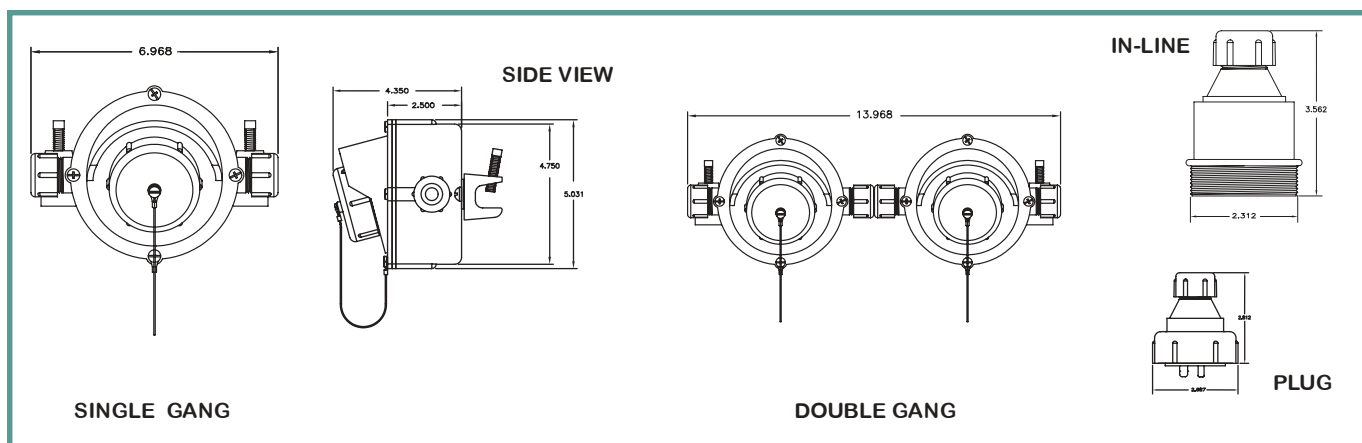
NRL Lighting Products
1616 N Main Street
Pearland, Texas 77581 USA
www.nrl-light.com
USA
Tel: 281-412-3339
Fax: 281-412-9559
Canada
Toll free: 888-675-5483
Fax: 780-986-4859



MARINE OUTSIDE AND CORROSIVE ENVIRONMENTS NON METALLIC PLUGS AND RECEPTACLES



DIMENSIONS



TECHNICAL SPECIFICATION

HOUSING

6/6 Nylon Black enclosure with retained socket cap.

VOLTAGE OPERATION

Rated for operations up to 300VAC Max 20A

HARDWARE

Stainless Steel

MOUNTING

Flexible mounting and positioning via two adjustable beam clamps.

OUTLETS

Suitable for cable .375" to .625"

ORDERING REFERENCES

MARINE WATER TIGHT RECEPTACLES AND PLUGS

DESCRIPTION		WEIGHT	Part Number
Single Receptacle	20A 2P3W	1.5 lbs	PR-123-BC
Single Receptacle	20A-3P4W	1.5 lbs	PR-124-BC
Double Receptacle	20A 2P3W	2.44 lbs	PR-223-BC
Double Receptacle	20A 3P4W	2.44 lbs	PR-224-BC
Inline Connector	20A 2P3W	.20 lbs	PP-123
Inline Connector	20A 3P4W	.20 lbs	PP-124
Plug	20A 2P3W	.22 lbs	PC-1-3
Plug	20A 3P4W	.22 lbs	PC-1-4