

SA 850/1A

Half-Mile Signal

The basic building block for the SA 850/1A horns is the ELU 800/02 emitter. This is a compact aluminum horn with a steel diaphragm resonant at about 835 hertz. These horns were designed to take advantage of the U.S. Government and IALA range rating criteria which show this frequency to be an optimum compromise for short to medium range sound signals. This signal meets United States Coast Guard and IALA requirements for a half-mile signal, over a battery operating voltage of 10-14 volts. Audio output is omnidirectional.

Its rugged construction and water proof design make this signal ideal for mounting on buoys. As this is a positive coded signal, its efficacy is much greater than that of wave actuated signals (mechanical bells, gongs and whistles) which generally operate best when needed least (sea conditions are often calmest when visibility is at its worst).

The coding timer and oscillator are all contained within the signal. No external cabinets are required.

Specifications:

Nominal current:

Current — 1.2 amp

Nominal output:

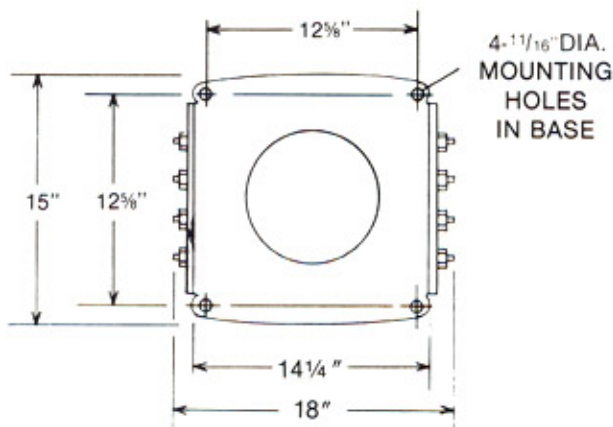
840 Hz — 119.6 db @ 10v
minimum Bty voltage

Weight: 124 lbs.

Domestic shipping weight: 150 lbs.

Total Height: 27½"

Can be provided for Class I
Division 2 as listed by Factory Mutual



ELECTRONIC CONTROLS
LOCATED IN TOP
OF EMITTER



 **Automatic Power Inc**

SA-850/1A EX

Half-Mile Signal

The SA 850/1AEX Emitter is identical to the SA 850/1A with the addition of the required components to meet Factory Mutual's approval for use in Class I, Division 1, Group D Locations.

Specifications:

Nominal input:

Voltage — 12v DC
Current — 1.2 amp.

Nominal output:

840 Hz —
119.6 db @ 10v minimum battery voltage

Weight: 125 lbs.

Domestic shipping weight: 150 lbs.

