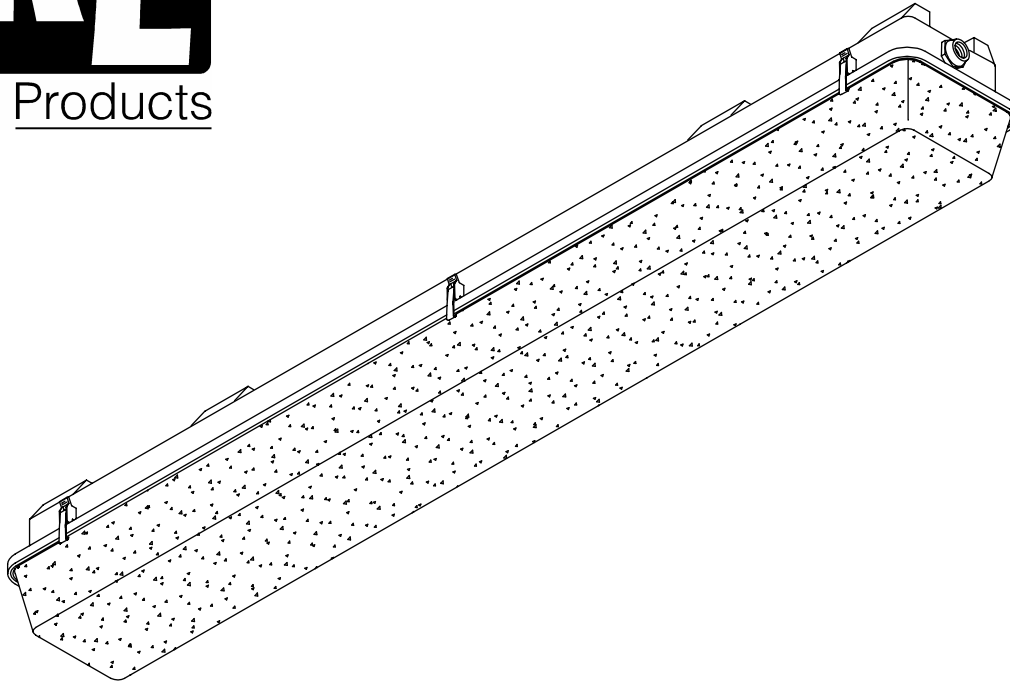


- CSA - Class I Div. 2 - Groups A, B, C, & D
- CSA - Class I Zone 2 - Groups IIA, IIB & IIC
- CSA - Class II Div. 2 - Groups F & G
- CSA - Class III
- CSA - Type 3 R
- Enclosed & Gasketed



VersaPro

Non-Metallic Fluorescent

Features:

- **Two models** to choose from: **enclosed and gasketed** or **hazardous area**.
- **Corrosion resistant**, non-metallic FRP housing.
- Full **steel interior channel** assembly that reinforces hub entry, and provides continuous ground.
- **Lens catches** are **non-metallic** or optional stainless steel.
- Standard diffused **acrylic lens** (optional polycarbonate lens).
- **Closed cell neoprene gasket** poured in place for permanent mounting.
- **Spring loaded sockets** on all HO models.
- **Locking sockets** on RS models made of industrial grade **high temperature PBT**.
- Available in **standard feed-thru design** or **optional pendant** hub design.
- **Various mounting** hardware systems available.
- **2, 4 & 8 foot models** with 2 lamp T8 or T12 designs.
- **8 foot models** are also available with four, 4 foot lamps
- **Compact fluorescent** 2 lamp, 2 foot & 4 lamp, 4 foot models

Applications:

- | | |
|--|--|
| <ul style="list-style-type: none"> ■ Wash-bays ■ Dairy & livestock facilities ■ Textile mills ■ Workshop areas | <ul style="list-style-type: none"> ■ Processing plants ■ Chemical storage areas ■ Lubrication pits ■ Marine applications |
|--|--|

VersaPro

Catalog Number Logic

VP **8** - **2** **8** **1** **0** **C** - ******
(1) (2) (3) (4) (5) (6) (7) (8)

(1) Series

VP - VersaPro Enclosed & Gasketed
VPH - VersaPro Hazardous Area
Non-metallic housing complete with impact resistant acrylic lens.

(2) Length (nominal)

2 - 2 foot
4 - 4 foot
8 - 8 foot

(3) Number of Lamps

2 - For 2 lamps
4 - For 4 lamps (4 foot fixture, ballast type 2 only and 8 foot fixtures with four, 4 foot lamps, ballast types 1, 4 & 8)

(4) Ballast Type

1 - 265 mA, T8
(0° F & -18° C starting temp, 50/60Hz electronic ballast)
2 - 270 mA, 2G11 - compact fluorescent
(0° F & -18° C starting temp, 50/60Hz electronic ballast)
3 - 425 mA, T12, IS, (8 foot models only)
(+50° F & +10° C starting temp, magnetic ballast)
4 - 430 mA, T12
(+50° F & +10° C starting temp, magnetic ballast)
7 - 800 mA, T8, HO
(+50° F & +10° C starting temp, electronic ballast)
8 - 800 mA, T12, RS, HO
(-20° F & -29° C starting temp, magnetic ballast)

(5) Voltage / Frequency

1 - 120 Volt 60 Hz.
3 - 220 to 240 Volt 50/60 Hz.(ballast types 1 & 2 only)
4 - 240 Volt 60 Hz.(T12 magnetic only)
5 - 277 Volt 60 Hz.
6 - 347 Volt 60 Hz.
7 - 120 to 277 Volt 50/60 Hz.(ballast type 1 only)

(6) Mounting Style

0 - Feed-thru c/w 2- 1/2" npt. hub (standard design)
1 - Feed-thru c/w 2- 3/4" npt. hub
2 - Pendant c/w 2- 1/2" npt. hub
3 - Pendant c/w 2- 3/4" npt. hub
4 - Feed-thru c/w 2- 1/2" KO (VP Series only)

(Ceiling / wall brackets & chain suspension kits shown in mounting options)

(7) Labels:

C - CSA (C/US)

(8) Special Options

EM1 - Emergency ballast, all areas, 700 lumen
L - Lamps (energy saving except on HO)
P - Prismatic polycarbonate lens
PC - Polycarbonate catches
S - Switch, on/off
SSC - Stainless steel catches
TSSC - Tamperproof stainless steel catches

Notes:

- Lamps are not included.**
- All emergency units have an integral test switch and charging circuit indicator lamp.**
- Consult factory for any catalog number or options not listed above for price and availability.**

VersaPro

Ordering Guide, 120 Volt only

Fixture Length	Ballast Type	Lamp Type	No. of Lamps	Raw Lumen Output	Catalog Number
Two Foot	Electronic	F17T8	2	2,393	VPH2-2110C
		FT40W/2G11	2	6,300	VPH2-2210C
Four Foot	Electronic	F32T8	2	6,962	VPH4-2110C
		FT40W/2G11	4	12,600	VPH4-4210C
	Magnetic	F40/ES	2	4,770	VPH4-2410C
		F48T12/HO	2	6,885	VPH4-2810C
Eight Foot	Electronic	F32T8	4	13,924	VPH8-4110C
		F96T8/HO	2	14,432	VPH8-2710C
	Magnetic	F96T12/ES	2	10,010	VPH8-2310C
		F96T12/HO	2	16,910	VPH8-2810C

Notes: Catalog number shown is for hazardous area feed-thru design. (fixture is c/w two 1/2" npt. hubs).
All models available in non-hazardous design, change "VPH" to "VP".

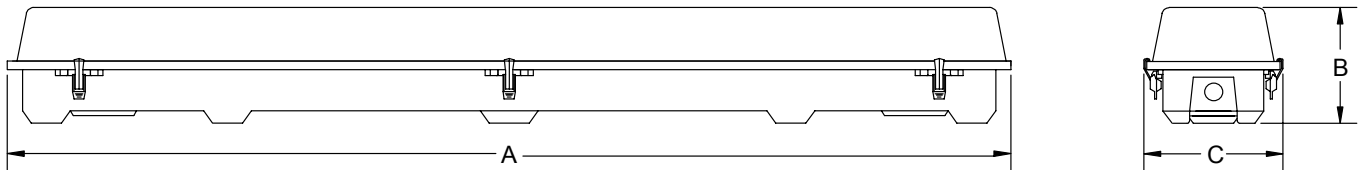
Certification Guide

Magnetic ballast approved @ 40C ambient Electronic ballast approved @ 55C ambient		Class I Div. 2 Groups A, B, C & D		Class I Zone 2 Groups IIA, IIB & IIC		Class II Div. 2 Class III	
Ballast Type	No. of Lamps	Approval	T-Rating	Approval	T-Rating	Approval	Groups
Electronic, 265mA, T8, RS	2	CSA	T5	CSA	T5	CSA	F & G
Electronic, 270mA, 2G11, RS	2 & 4	CSA	T5	CSA	T5	CSA	F & G
Magnetic, 430mA, T12, RS	2	CSA	T5	CSA	T5	CSA	F & G
Magnetic, 800mA, T12, HO	2	CSA	T4A	CSA	T4	CSA	F & G

For detailed test results and approvals consult factory

VersaPro

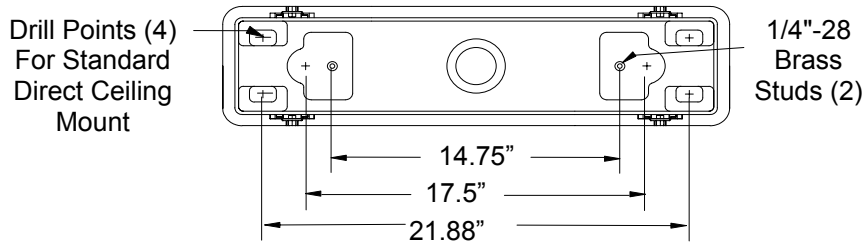
Dimensions



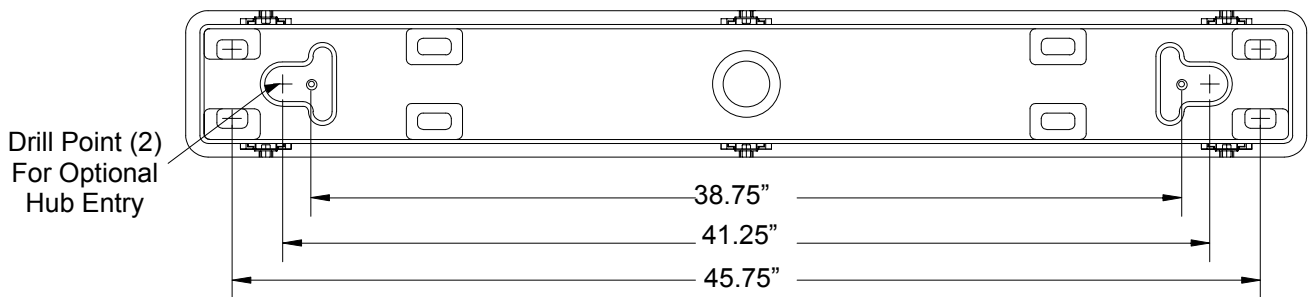
Nominal Length	Dimensions in Inches / Centimeters			Cubic Size Feet / Meter	Weight lb. / kg
	A	B	C		
2 Foot All Models	25.8 / 65.6	5.0 / 12.7	7.0 / 17.78	1.26 / 0.0356	12.0 / 5.5
4 Foot RS T8/T12 Models	49.81 / 126.5	5.0 / 12.7	7.0 / 17.78	2.23 / 0.0631	20.3 / 9.2
4 Foot HO Models	49.81 / 126.5	5.4 / 13.72	7.0 / 17.78	2.23 / 0.0631	25.5 / 11.6
8 Foot All Models	97.81 / 248.4	5.4 / 13.72	7.0 / 17.78	4.17 / 0.1181	46.0 / 20.1

Weights shown are for magnetic ballasts
Deduct 2 lb. / 0.91 kg. for electronic ballasts

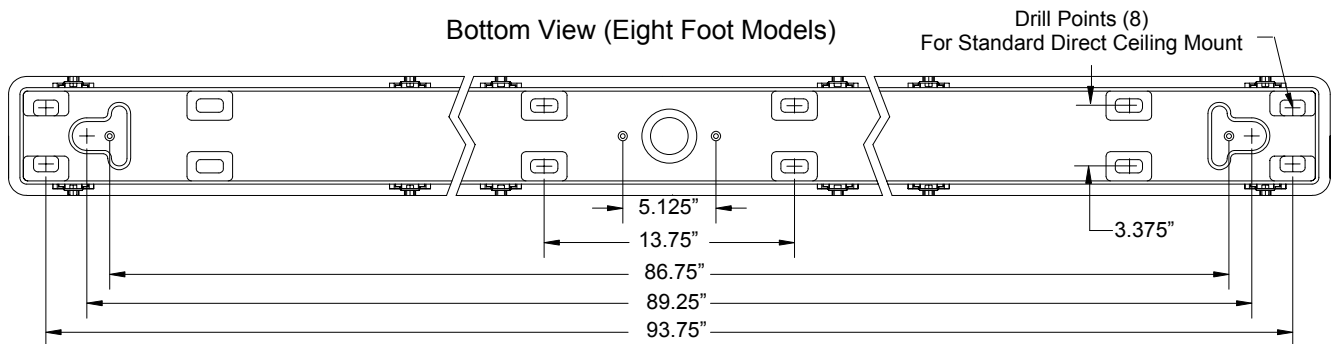
Bottom View (Two Foot Models)



Bottom View (Four Foot Models)

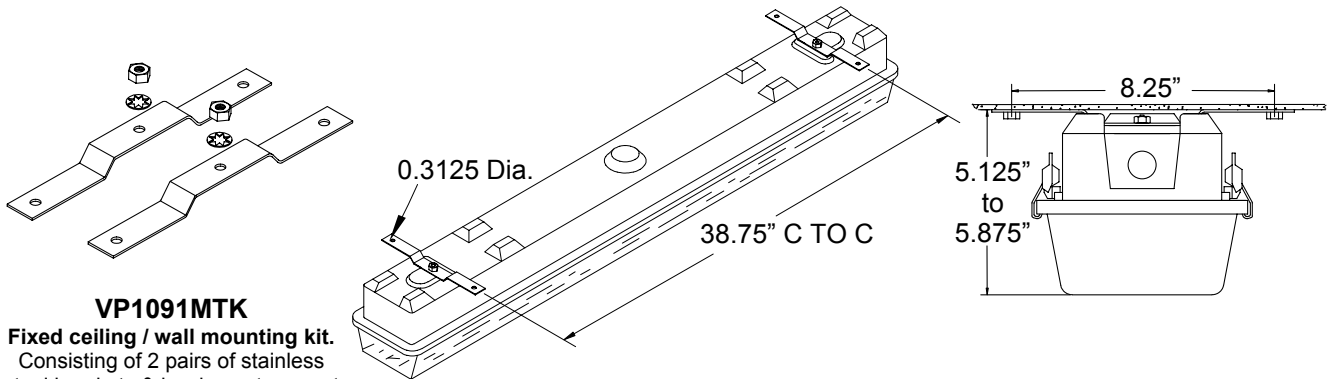


Bottom View (Eight Foot Models)



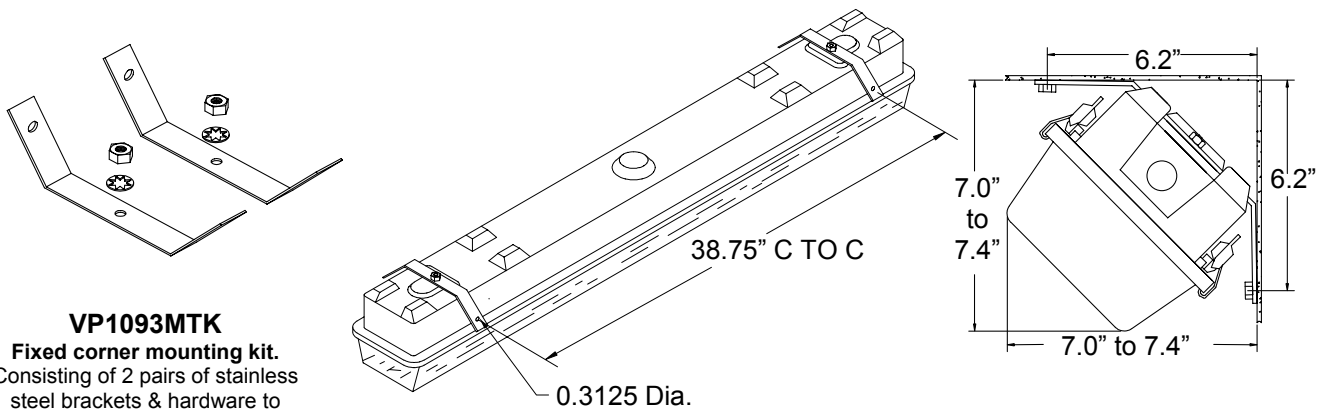
VersaPro

Mounting Options



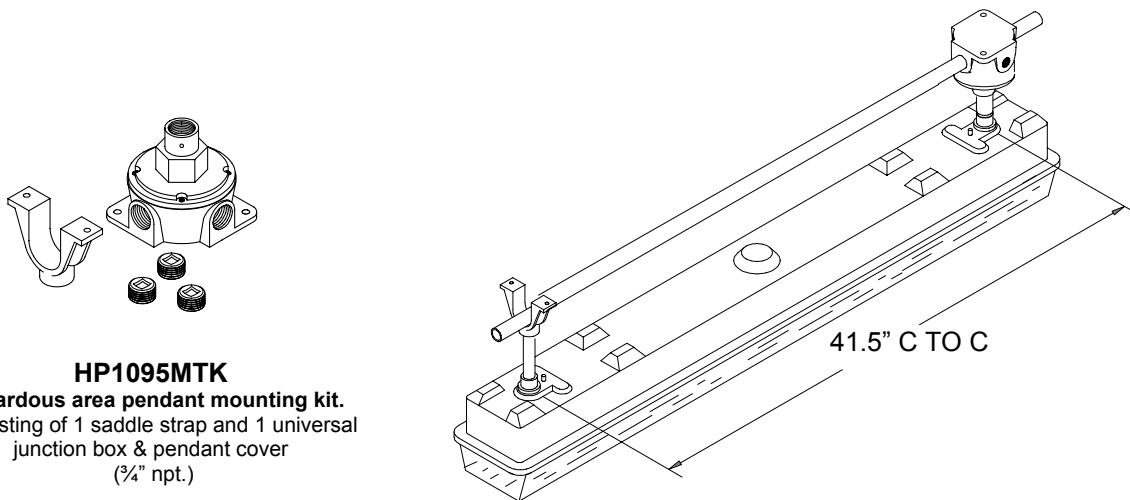
VP1091MTK

Fixed ceiling / wall mounting kit.
Consisting of 2 pairs of stainless steel brackets & hardware to mount brackets to fixture.



VP1093MTK

Fixed corner mounting kit.
Consisting of 2 pairs of stainless steel brackets & hardware to mount brackets to fixture.

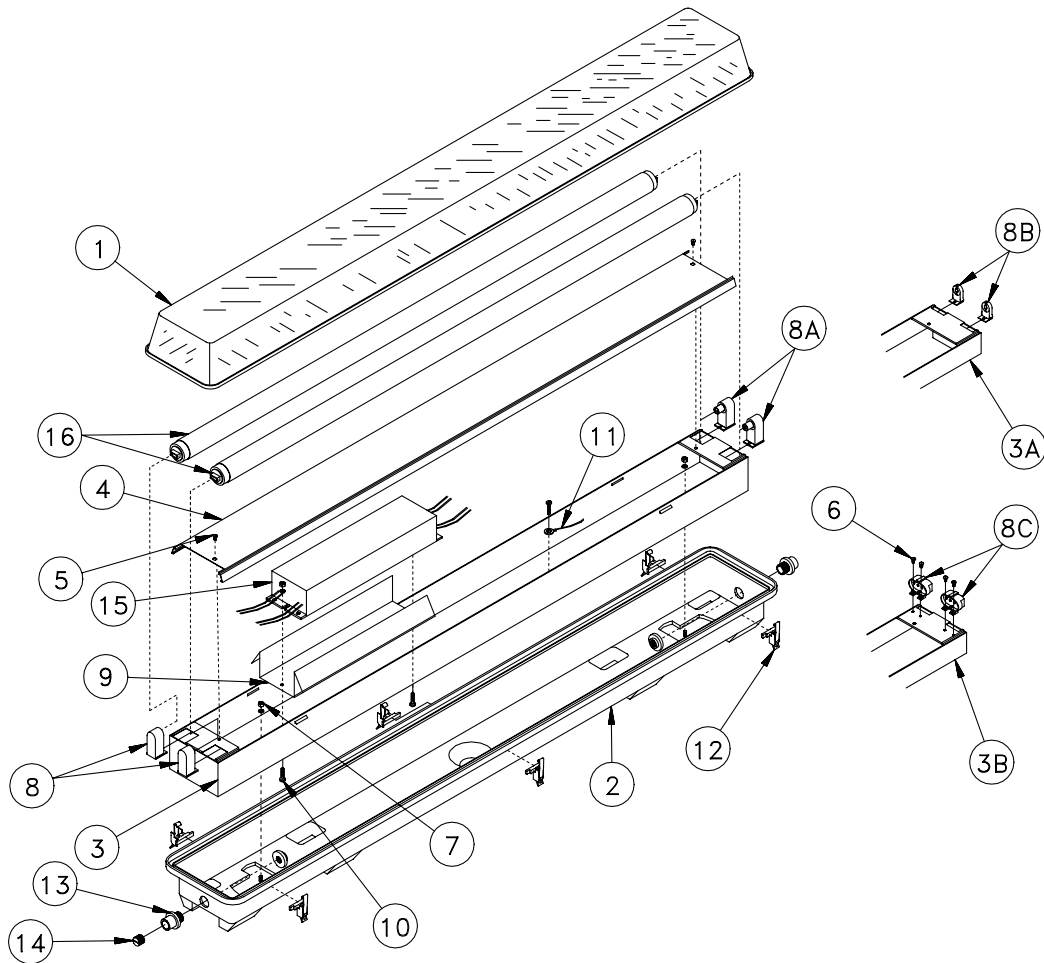


HP1095MTK

Hazardous area pendant mounting kit.
Consisting of 1 saddle strap and 1 universal junction box & pendant cover (3/4" npt.)

VersaPro

Parts List



Item No.	Part No.	Description	No Req'd	Item No.	Part No.	Description	No Req'd
1	008-4000	Lens, deep acrylic, for 4 ft., HO model	1	6	309-6851	Screw, socket mounting for 2G11 CF models	2
1*	008-8000	Lens, deep acrylic, for all 8 ft. models	1	7	380-1011	Mounting hardware, inner channel to housing	2 sets
1*	008-4100	Lens, shallow acrylic, 4 ft. model, except HO	1	8	758-0700	Socket, RDC, fixed for all HO models	2 or 4
1*	008-2100	Lens, shallow acrylic, for all 2 ft. models	1	8A	758-0701	Socket, RDC, spring loaded for all HO models	2 or 4
2	008-0400	Housing for all 4 ft. models	1	8B	754-8701	Socket, Bi-pin, for all T8 / T12 models	4 or 8
2*	008-0800	Housing for all 8 ft. models	1	8C	752-6050	Socket, 2G11 type, for all 2G11 CF models	2 or 4
2*	008-0200	Housing for all 2 ft. models	1	8*	752-5766	Support, lamp, for all 2G11 CF models	2 or 4
3	008-0148	Inner channel for 4 ft., HO model	1	8*	755-0314	Socket, single pin, fixed for F40T12, 8 ft.	2
3A	008-0144	Inner channel for 4 ft., T8 / T12 models	1	8*	755-0315	Socket, single pin, spring loaded for F40T12, 8 ft.	2
3B	008-0142	Inner channel for 4 ft., 2G11 CF model	1	9	008-0048	Radiator for all HO models	1 or 2
3*	008-0180	Inner channel for all 8 ft. models	1	10	380-0011	Mounting hardware for ballast to inner channel	2 or 4 sets
3*	008-0124	Inner channel for 2 ft., T8 models	1	11	380-1435	Grounding hardware assembly for all models	1 or 2 sets
3*	008-0122	Inner channel for 2 ft., 2G11 CF models	1	12	008-0601	Lens catches, standard Celcon type, all models	4, 6 or 12
4	008-0348	Channel cover / reflector, 4 ft., HO model **	1	13	360-0500	Hub, standard 1/2" npt. all hazardous area models	2
4*	008-0344	Channel cover / reflector, 4 ft., except HO **	1	14	350-0500	Plug, standard 1/2" npt. all hazardous area models	1
4*	008-0388	Channel cover / reflector, 8 ft. c/w 8 foot lamps	2	14*	008-0030	Plug, snap-in, 1/2" KO type, vapor proof models	2
4*	008-0324	Channel cover / reflector for all 2 ft. models	1	15		Ballast (See ballast chart page for type)	1 or 2
5	309-1003	Screw, channel cover mounting for all models	2 or 4	16		Lamps (See lamp chart page for type)	2 or 4

* Item not shown in drawing