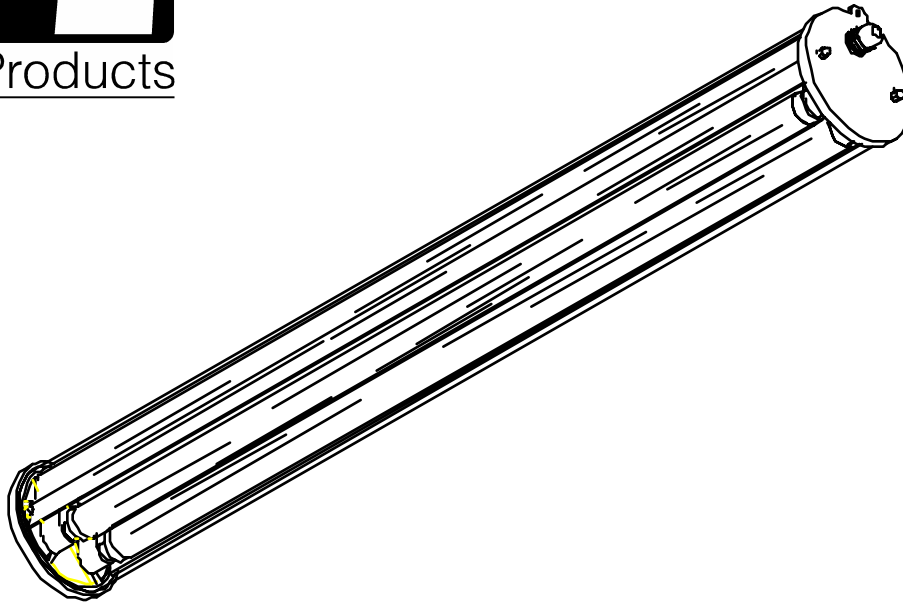




- CSA - Class I Div. 2 - Groups A, B, C, & D
- CSA - Class I Zone 2 - Groups IIA, IIB & IIC
- CSA - Class II Div. 2 - Groups F & G
- CSA - Class III
- CSA - Type 4
- Enclosed & Gasketed



WashPro

Processing & Wash Down Area Fluorescent

Features:

- **Two models** to choose from: **water-tight** or **hazardous area water-tight**.
- **Totally sealed fixture** design, suitable for **high pressure wash-down** areas.
- Tested at **1500 PSI** for **60 minute** duration, at 5' and 10' distance, nozzle dispersion 0 degree.
- **Corrosion resistance** non-metallic housing.
- **Extruded aluminum interior** assembly.
- All external **hardware stainless steel** or **non-metallic**.
- Standard clear, impact resistant, **acrylic lens**.
- **Silicone gasket** permanently mounted in end cap.
- **Spring loaded sockets** on all HO models.
- **Locking sockets** on RS models made of industrial grade **high temperature PBT**.
- Available in **single or feed-thru hub** design.
- Suspended **cable mounting** or **fixed stainless steel** hardware available.
- Optional **quick disconnect receptacle** available for non-hazardous models.
- **2, 4 & 8 foot models** with 2 lamp T8 / T12 designs or 3 & 6 lamp T5 designs.
- **8 foot models** are also available with four, 4 foot lamps.
- **Compact fluorescent** 2 lamp, 2 foot & 4 lamp, 4 foot models.

Applications:

- Food processing industry
- Marine applications
- Degreasing facilities
- Meat & fish inspection areas
- Food handling areas
- Meat & poultry processing plants
- Pharmaceutical operations
- Waste treatment plants



WashPro

Catalog Number Logic

WP **8** - **2** **8** **1** **0** **C** - ******
(1) (2) (3) (4) (5) (6) (7) (8)

(1) Series

WP - WashPro, Watertight

WPH - WashPro, Hazardous Area

Impact resistant acrylic lens with
non-metallic end caps.

WPS - WashPro, Watertight

WPSH - WashPro, Hazardous Area

Impact resistant acrylic lens with Stainless steel
end caps.

(2) Length (nominal)

2 - 2 foot

4 - 4 foot

8 - 8 foot

(3) Number of Lamps

2 - For 2 lamps

3 - For 3 lamps (T5 only)

4 - For 4 lamps

(4 foot fixture, ballast type 2 only and 8 foot fixtures
with four, 4 foot lamps, ballast types 1, 4 & 8).

6 - For 6 lamps (8 foot T5 model only)

(4) Ballast Type

1 - 265 mA, T8,

(0° F & -18° C starting temp, 50/60Hz electronic ballast)

2 - 270 mA, 2G11 - compact fluorescent

(0° F & -18° C starting temp, 50/60Hz electronic ballast)

3 - 425 mA, T12, IS, (8 foot models only)

(+50° F & +10° C starting temp, magnetic ballast)

4 - 430 mA, T12, RS

(+50° F & +10° C starting temp, magnetic ballast)

5 - HO - T5 Programed Rapid Start

(0° F & -18° C starting temp, 50/60Hz electronic ballast)

7 - 800 mA, T8, HO

(+50° F & +10° C starting temp, electronic ballast)

8 - 800 mA, T12, RS, HO

(-20° F & -29° C starting temp, magnetic ballast)

(5) Voltage / Frequency

1 - 120 Volt 60 Hz.

3 - 220 to 240 Volt 50/60 Hz. (ballast types 1, 2 & 5)

4 - 240 Volt 60 Hz. (T12 magnetic only)

5 - 277 Volt 60 Hz.

6 - 347 Volt 60 Hz.

7 - 120 to 277 Volt 50/60 Hz. (ballast type 1 only)

(6) Mounting Style

0 - mounting c/w 1-1/2" strain relief connector

1 - feed-thru c/w 2- 1/2" strain relief connectors

8 - Stainless steel quick release straps

c/w 1-1/2" strain relief connector

9 - Stainless steel quick release straps

c/w 2- 1/2" strain relief connectors

(Ceiling / wall brackets & chain suspension kits
shown in mounting options.)

(7) Label:

C - CSA (C/US)

(8) Special Options

EM1 - Emergency ballast, all areas, 700 lumen

L - Lamps (energy saving except on HO)

S - Switch, power, on/off

Notes:

1. Lamps are not included

**2. All emergency units have integral test switch
and charging circuit indicator lamp**

**3. Consult factory for any catalog number or options
not listed above for price and availability.**

WashPro

Ordering Guide

Standard Models 120V 60 Hz (Lamps & Required Mounting Brackets Not Included)						
Fixture Length	Ballast Type	Lamp Type	No. of Lamps	Raw Lumen Output	Ordinary Location Catalog #	Hazardous Location Catalog #
Two Foot	Electronic	F32T8	2	2,393	WP2-2110C	WPH2-2110C
		F24T5HO	3	5,640	WP2-3570C	WPH2-3570C
		FT40W/2G11	2	7,245	WP2-2210C	WPH2-2210C
Four Foot	Electronic	F32T8	2	6,962	WP4-2110C	WPH4-2110C
		F54T5HO	3	15,000	WP4-3570C	WPH4-3570C
		FT40W/2G11	4	12,600	WP4-4210C	WPH4-4210C
	Magnetic	F40/ES	2	4,770	WP4-2410C	WPH4-2410C
		F48T12/HO	2	6,885	WP4-2810C	WPH4-2810C
Eight Foot	Electronic	F32T8	4	13,924	WP8-4110C	WPH8-4110C
		F54T5HO	6	30,000	WP8-6570C	WPH8-6570C
		F96T8/HO	2	14,432	WP8-2710C	WPH8-2710C
		F96T12/HO	2	16,020	WP8-2810C	WPH8-2810C
	Magnetic	F96T12/ES	2	10,010	WP8-2310C	WPH8-2310C

Notes:

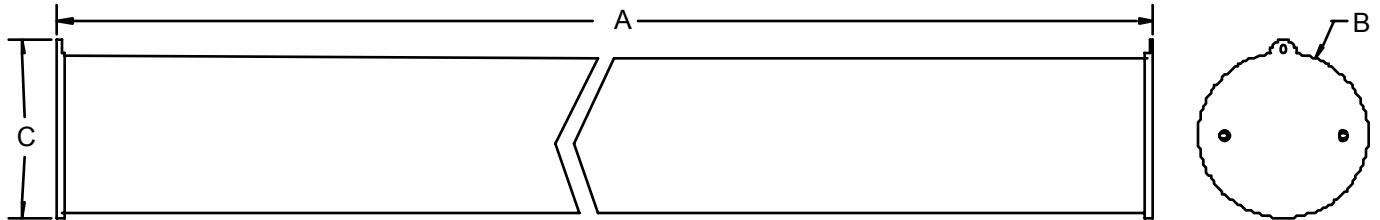
Catalog number shown is for end mount style, optional mounting hardware must be ordered separately. All models have single 1/2" npt. hub with a non-metallic cable connector installed.

Certification Guide

Magnetic ballast approved for 40 degree C ambient Electronic ballast approved for 55 degree C ambient		Class I Div. 2 Groups A, B, C & D		Class I Zone 2 Groups IIA, IIB & IIC		Class II Div. 2 Class III	
Ballast Type	No. of Lamps	Approval	T-Rating	Approval	T-Rating	Approval	Groups
Electronic, 265mA, T8, RS	2	CSA	T5	CSA	T5	CSA	F & G
Electronic, 270mA, 2G11, RS	2 & 4	CSA	T5	CSA	T5	CSA	F & G
Magnetic, 430mA, T12, RS	2	CSA	T5	CSA	T5	CSA	F & G
Electronic, HO T5, RS	3 & 6	CSA	T5	CSA	T5	CSA	F & G
Magnetic, 800mA, T12, HO (4 ft.)	2	CSA	T4A	CSA	T4	CSA	F & G
Electronic, 800mA, T12, HO (8 ft.)	2	CSA	T5	CSA	T5	CSA	F & G

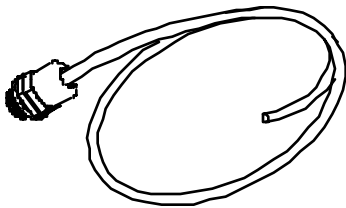
WashPro

Dimensions

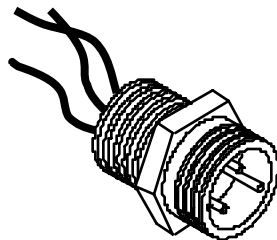


Nominal Length	Dimensions in Inches / Centimeters			Cubic Size Feet / Meter	Weight lb. / kg
	A	B	C		
2 Foot	25.0 / 63.5	6.4 / 16.3	7.03 / 17.86	1.00 / 0.0283	12.4 / 5.6
4 Foot	49.0 / 124.5	6.4 / 16.3	7.03 / 17.86	1.88 / 0.0532	20.3 / 9.2
8 Foot	97.0 / 246.4	6.4 / 16.3	7.03 / 17.86	3.67 / 0.1039	36.1 / 16.4

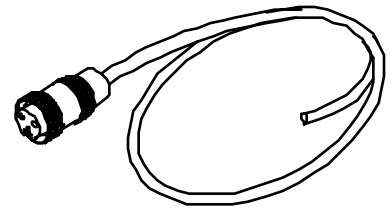
Weights shown are for 2 lamp HO model. Add 4 lb. / 1.8 kg. for magnetic 425mA model.
Deduct 1 lb. / .45 kg. for all other models



WP163SR-6
Cord assembly consisting of, strain relief connector, 6' of #16/3 cable
If longer cable required change suffix to length needed. Factory installed when ordered with fixture



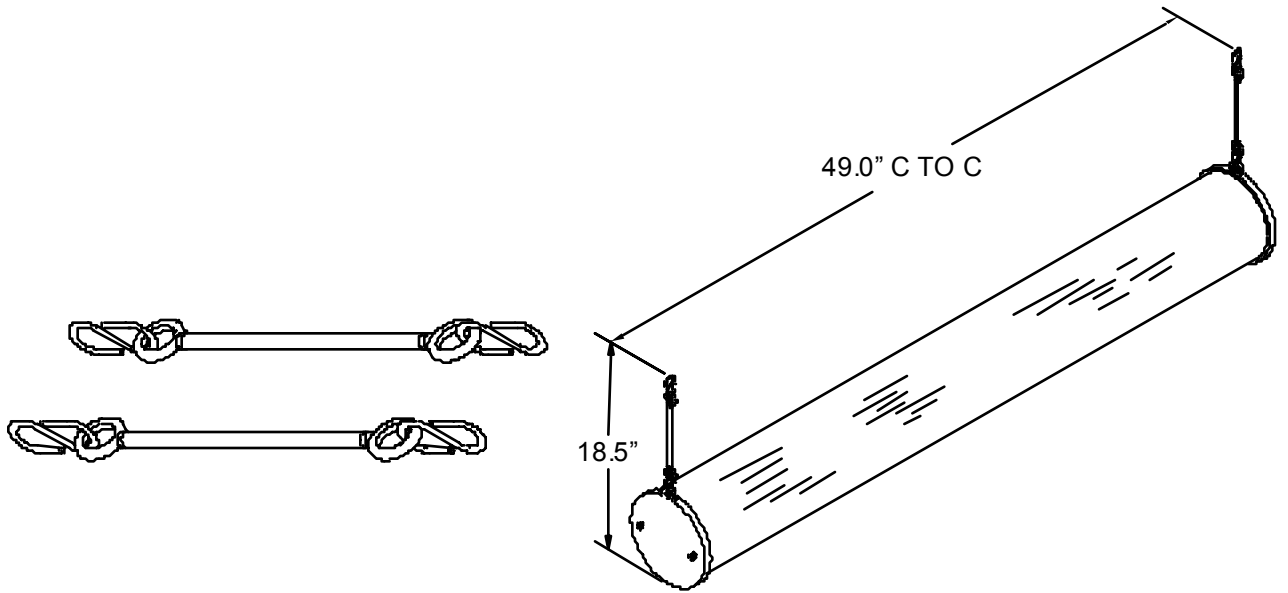
WP003MR
Fixture mounted receptacle. Required when #WP163FP-6 is used
Factory installed when ordered with fixture



WP163FP-6
Cord assembly consisting of, molded plug & 6' of #16/3 cable
If longer cable required change suffix to length needed

WashPro

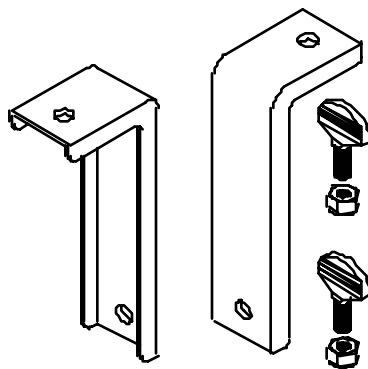
Mounting Options



WP10-12-MTK Suspended cable kit.

Consisting of; 2 - 12" nylon coated stainless steel cables c/w crimped on loops & 2 - "S" hooks.

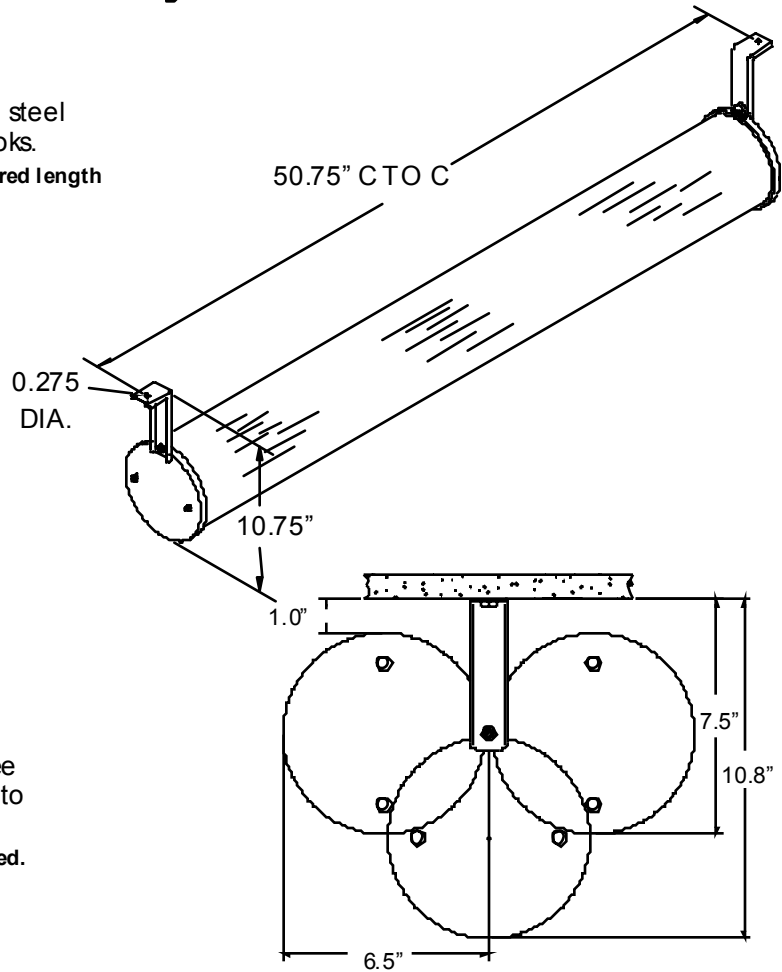
If longer cable required change "12" in part # to required length



WP1086MTK Ceiling / wall bracket kit.

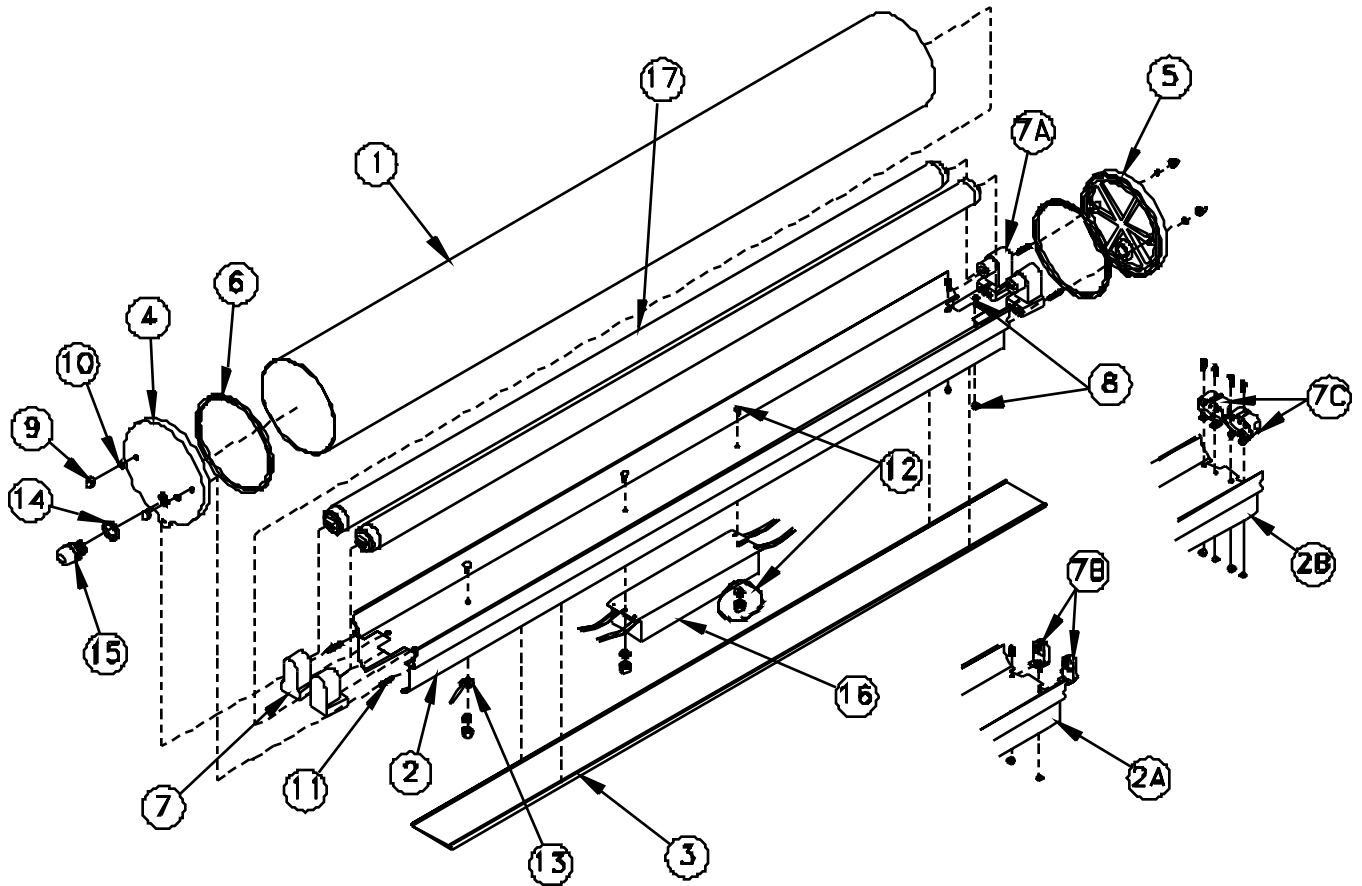
Consisting of; 2 stainless steel 90 degree mounting brackets & hardware to attach to fixture end plates.

Hardware to attach to wall or ceiling not included.



WashPro

Parts List



Item No.	Part No.	Description	No Req'd	Item No.	Part No.	Description	No Req'd
1	007-4000	Tube, acrylic for all 4 ft. models	1	7A	758-0464	Socket, RDC, spring loaded for all HO models	2 or 4
1*	007-8000	Tube, acrylic for all 8 ft. models	1	7B	754-8701	Socket, Bi-pin, for all T8 / T12 models	4 or 8
1*	007-2000	Tube, acrylic for all 2 ft. models	1	7C	752-6050	Socket, 2G11 type, for all 2G11 CF models	2 or 4
2	007-0408	Inner channel for 4 ft., HO model	1	7*	752-5766	Support, lamp, for all 2G11 CF models	2 or 4
2A	007-0404	Inner channel for 4 ft., T8 / T12 models	1	7*	755-0214	Socket, single pin, fixed for T12, 8 ft. model	2
2B	007-0402	Inner channel for 4 ft., 2G11 CF model	1	7*	755-0215	Socket, single pin, spring loaded, T12, 8 ft. model	2
2*	007-0800	Inner channel, 8 ft. models with 8 foot lamps	1	8	380-6817	Mounting hardware, socket mounting, all models	4 or 8 sets
2*	007-0804	Inner channel, 8 ft. models c/w 4 - 4 foot lamps	1	9	312-0104	Nut, stainless steel closed end, for all models	4
2*	007-0204	Inner channel for 2 ft., T8 model	1	10	370-0104	Gasket, O-ring for stud on all models	4
2*	007-0202	Inner channel for 2 ft., 2G11 CF model	1	11	312-0703	Stud, SS, secures end cap to inner channel	4
3	007-0304	Channel cover for all 4 ft. models	1	12	380-0017	Mounting hardware, ballast / ground terminal	3 sets
3*	007-0308	Channel cover for all 8 ft. models	1	13	380-1440	Grounding hardware assembly for all models	1 set
3*	007-0302	Channel cover for all 2 ft. models	1	14	370-0155	Gasket, for cord connector or opt. receptacle	1
4	007-1050	End cap, electrical end (1/2" npt hub) all models	1	15	355-0538	Connector, cord strain relief, 1/2" npt., non-metallic	1
5	007-1000	End cap, non-electrical end for all models	1	15*	WP003MR	See Previous page	1
6	007-1500	Gasket, O-ring for either end cap	2	16		Ballast (see ballast chart page for type)	1 or 2
7	758-0465	Socket, RDC, fixed for all HO models	2 or 4	17		Lamps (see lamp chart page for type)	2 or 4

* Item not shown in drawing