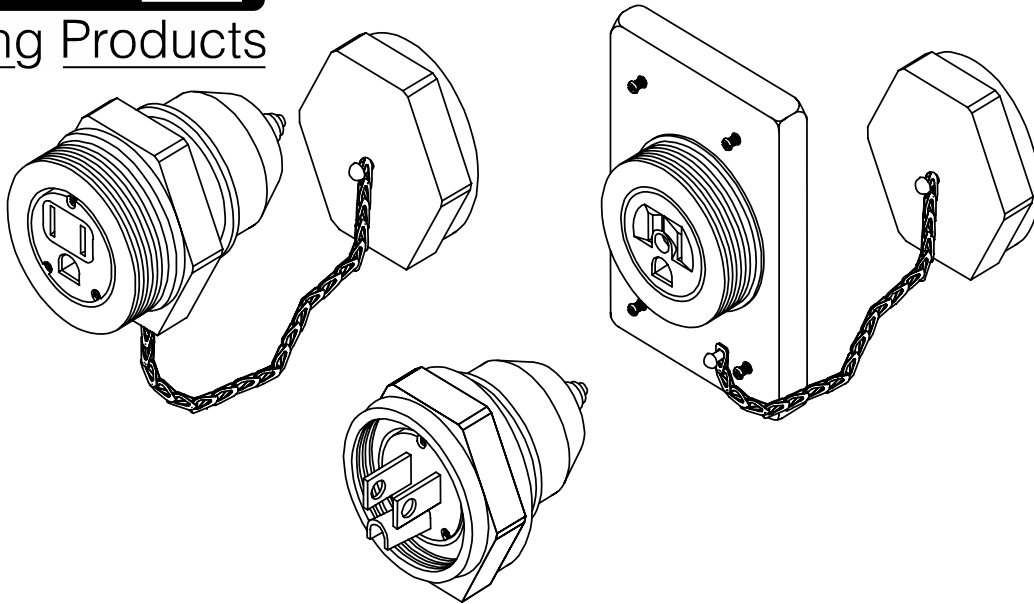




Lighting Products

- CSA - Type 3
- CSA - Type 4



Industrial Wiring Devices

Features:

- A complete line of cast aluminum **watertight (Type 4) wiring devices** for hard usage applications.
- The **NRL 96** is a versatile **receptacle cover** for **use on all manufacturers "FS" style boxes** and has a screw-on cover to insure no foreign materials or moisture can enter when not in use.
- The **NRL 86** is an in-line cord connector manufactured using a neoprene boot and cast aluminum rings and cover for a maximum watertight seal.
- The **NRL 80** is the **mating male plug** for the NRL 96 or NRL 86 female devices.
- The complete line of **NRL water-tight wiring devices** are available in **seven NEMA pin configurations** in **15 or 20 amp** three wire straight blade (125 or 250 volt) or **15 amp** three wire **locking** (125, 250 or 277 volt).

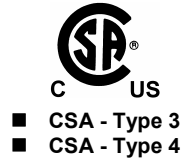
Applications:

- Oil drilling rigs
- Gravel pits and quarries
- Construction sites
- Open pit mining
- General industrial plant wiring
- Instrumentation connection boxes
- Temporary or portable lighting
- Rendering plants



NRL 96

Heavy duty receptacle



Catalog Number Logic

NRL 96-1

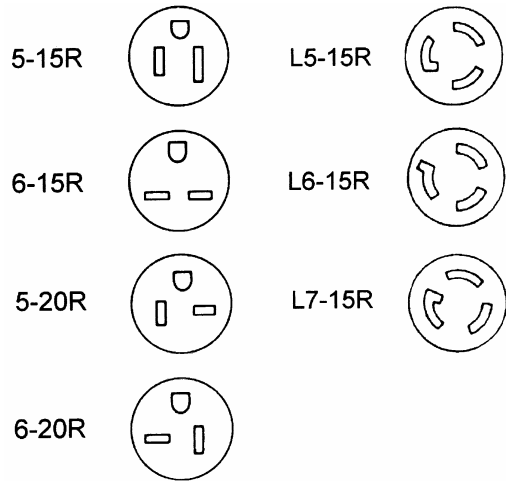
(1) (2) (3)

(1) **Manufacturer**
NRL - Manufactured by NRL

(2) **Series**
96 - Watertight receptacles for
"FS" box mounting.

(3) **Voltage / Amperage**
(NEMA configuration)

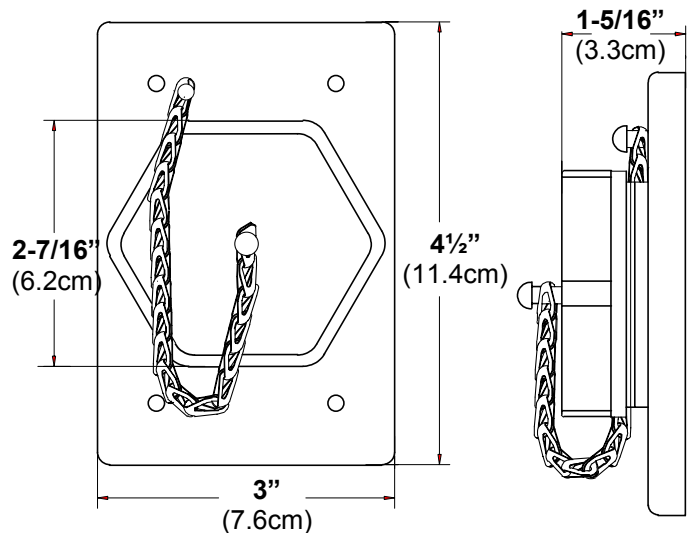
- | | |
|----------------------|----------|
| 1 - 125 Volt 15 Amp. | (5-15R) |
| 2 - 250 Volt 15 Amp. | (6-15R) |
| 3 - 125 Volt 20 Amp. | (5-20R) |
| 4 - 250 Volt 20 Amp. | (6-20R) |
| 5 - 120 Volt 15 Amp. | (L5-15R) |
| 6 - 250 Volt 15 Amp. | (L6-15R) |
| 7 - 277 Volt 15 Amp. | (L7-15R) |



Order Guide

Catalog Number	Description
NRL 96-1	125 Volt 15 Amp (5-15R)
NRL 96-2	250 Volt 15 Amp (6-15R)
NRL 96-3	125 Volt 20 Amp (5-20R)
NRL 96-4	250 Volt 20 Amp (6-20R)
NRL 96-5	120 Volt 15 Amp Locking (L5-15R)
NRL 96-6	250 Volt 15 Amp Locking (L6-15R)
NRL 96-7	277 Volt 15 Amp Locking (L7-15R)

Dimensions



Quantity Per Carton	Weight Per Carton lbs. (kg)	Size of Carton ft ³ (m ³)
10	7.7 (3.5)	0.4 (0.012)

NRL 80 Watertight Plug



- CSA - Type 3
- CSA - Type 4

Catalog Number Logic

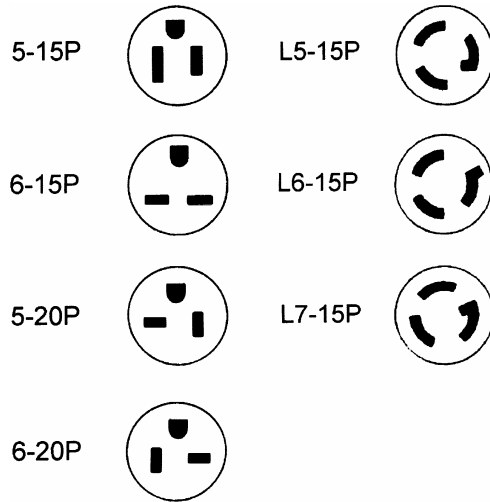
NRL 80-1
(1) (2) (3)

(1) Manufacturer
NRL- Manufactured by NRL

(2) Series
80 - Watertight plug

**(3) Voltage / Amperage
(NEMA configuration)**

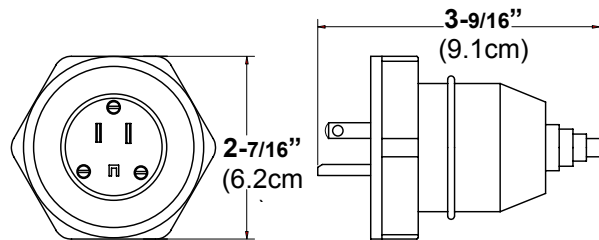
- 1 - 125 Volt 15 Amp (5-15P)
- 2 - 250 Volt 15 Amp (6-15P)
- 3 - 125 Volt 20 Amp (5-20P)
- 4 - 250 Volt 20 Amp (6-20P)
- 5 - 120 Volt 15 Amp (L5-15P)
- 6 - 250 Volt 15 Amp (L6-15P)
- 7 - 277 Volt 15 Amp (L7-15P)



Order Guide

Dimensions

Catalog Number	Description
NRL 80-1	125 Volt 15 Amp (5-15P)
NRL 80-2	250 Volt 15 Amp (6-15P)
NRL 80-3	125 Volt 20 Amp (5-20P)
NRL 80-4	250 Volt 20 Amp (6-20P)
NRL 80-5	120 Volt 15 Amp Locking (L5-15P)
NRL 80-6	250 Volt 15 Amp Locking (L6-15P)
NRL 80-7	277 Volt 15 Amp Locking (L7-15P)



Quantity Per Carton	Weight Per Carton lbs. (kg.)	Size of Carton ft ³ (m ³)
10	3.3 (1.5)	0.4 (0.012)



NRL 86

Waterproof connector



Catalog Number Logic

NRL 86-1

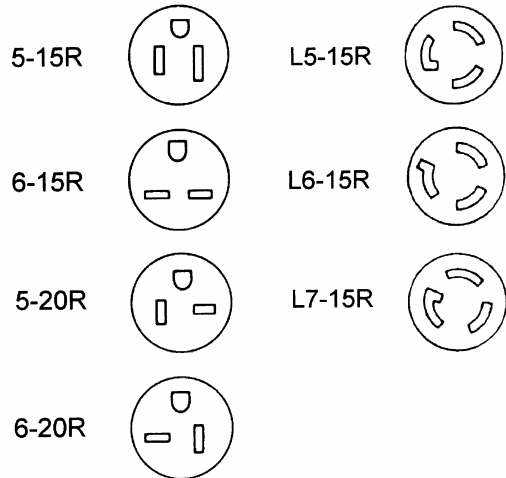
(1) (2) (3)

(1) Manufacturer
NRL- Manufactured by NRL

(2) Series
86 - Watertight cord connector

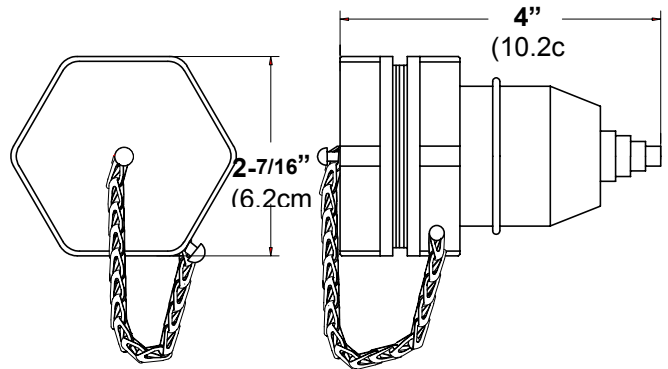
(3) Voltage / Amperage
(NEMA configuration)

- 1 - 125 Volt 15 Amp (5-15R)
- 2 - 250 Volt 15 Amp (6-15R)
- 3 - 125 Volt 20 Amp (5-20R)
- 4 - 250 Volt 20 Amp (6-20R)
- 5 - 120 Volt 15 Amp (L5-15R)
- 6 - 250 Volt 15 Amp (L6-15R)
- 7 - 277 Volt 15 Amp (L7-15R)



Order Guide

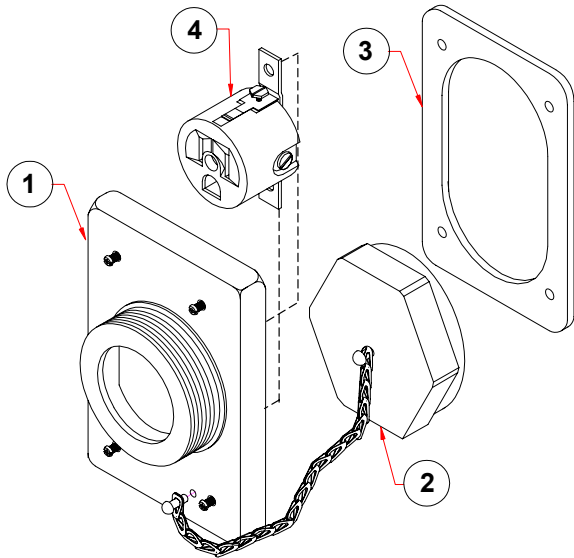
Catalog Number	Description
NRL 86-1	125 Volt 15 Amp (5-15R)
NRL 86-2	250 Volt 15 Amp (6-15R)
NRL 86-3	125 Volt 20 Amp (5-20R)
NRL 86-4	250 Volt 20 Amp (6-20R)
NRL 86-5	120 Volt 15 Amp Locking (L5-15R)
NRL 86-6	250 Volt 15 Amp Locking (L6-15R)
NRL 86-7	277 Volt 15 Amp Locking (L7-15R)



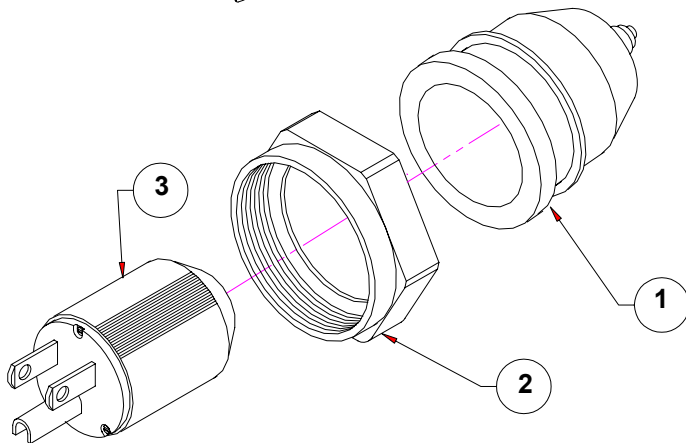
Quantity Per Carton	Weight Per Carton lbs. (kg.)	Size of Carton ft ³ (m ³)
10	6.7 (3.0)	0.4 (0.012)

NRL 96, 80 & 86

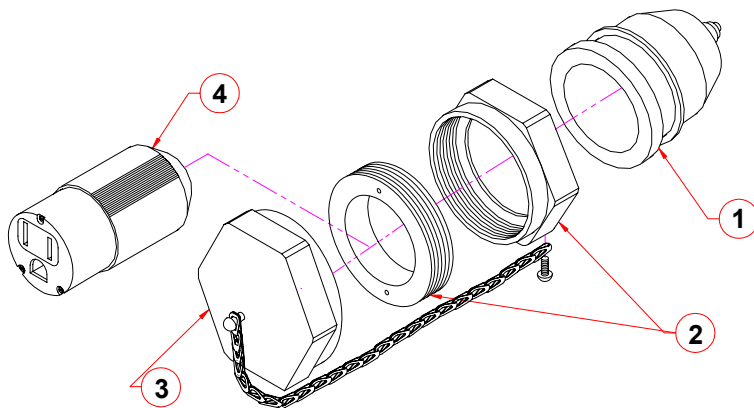
Parts Breakdown



No.	Part No.	Description	Weight lbs. (kg.)
1	NRL9604	Cast housing	0.26 (0.12)
2	NRL9601	Closed cap assembly	0.24 (0.11)
3	NRL9603	Neoprene gasket	0.04 (0.02)
4	NRL9611	125 Volt 15 Amp	0.11 (0.05)
	NRL9621	250 Volt 15 Amp	
	NRL9631	125 Volt 20 Amp	
	NRL9641	250 Volt 20 Amp	
	NRL9651	120 Volt 15 Amp*	
	NRL9661	250 Volt 15 Amp*	
	NRL9671	277 Volt 15 Amp*	



No.	Part No.	Description	Weight lbs. (kg.)
1	NRL8002	Neoprene boot	0.1 (0.04)
2	NRL8001	Cast open ring	0.13 (0.06)
3	NRL8011	125 Volt 15 Amp	0.15 (0.07)
	NRL8021	250 Volt 15 Amp	
	NRL8031	125 Volt 20 Amp	
	NRL8041	250 Volt 20 Amp	
	NRL8051	120 Volt 15 Amp*	
	NRL8061	250 Volt 15 Amp*	
	NRL8071	277 Volt 15 Amp*	



No.	Part No.	Description	Weight lbs. (kg.)
1	NRL8002	Neoprene boot	0.1 (0.04)
2	NRL8601	Cast ring assembly	0.22 (0.1)
3	NRL9601	Closed cap assembly	0.24 (.11)
4	NRL8611	125 Volt 15 Amp	0.18 (0.08)
	NRL8621	250 Volt 15 Amp	
	NRL8631	125 Volt 20 Amp	
	NRL8641	250 Volt 20 Amp	
	NRL8651	120 Volt 15 Amp*	
	NRL8661	250 Volt 15 Amp*	
	NRL8671	277 Volt 15 Amp*	

*Locking type interiors