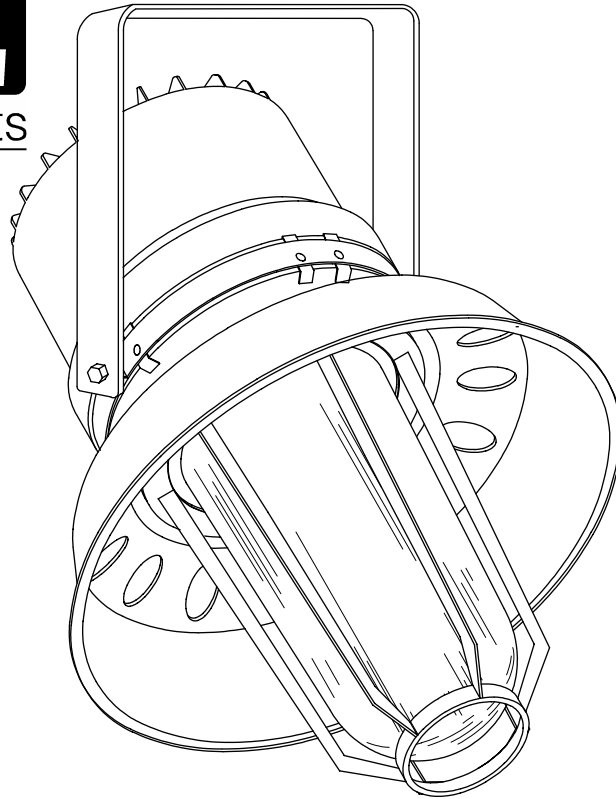




Lighting Products

- CSA - Class I Div. 1 - Groups C & D
- CSA - Class I Div. 2 - Groups A, B, C & D
- CSA - Type 3R enclosure



# Z-Achiever

## Explosion Proof H.I.D Floodlight

### Features:

- Excellent lumen efficiency (250/400 watt H.P.S. **efficiency 91.5%**). Lamp is located for maximum lumen output.
- Double pitch **ACME threads** on ballast housing to mount box & globe assembly to provide trouble free assembly and maintenance.
- 100% factory tested prestressed, tempered, **heat and impact resistant globes** (fluted for low glare).
- Electro-mechanical **disconnecting block** provides wireless assembly of ballast tank to outlet box.
- **Polyester powder coat** finish and stainless steel external hardware for corrosion resistance.
- CSA listed **ballast** components are available in tri-tap or a wide range of single-tap voltages.
- Male connection block is pre-wired to ballast and secured to form the **factory seal** and to eliminate wire twisting.
- **Five mounting styles** available: (pendant, ceiling, wall, bulkhead and 25° stanchion).
- Optional **cast aluminum guard** available.
- Optional **dome or angle fiberglass reinforced polyester reflectors** are vented to allow convection of heat and provide up-light distribution to minimize glare.

### Applications:

- |                                       |                            |
|---------------------------------------|----------------------------|
| ■ Offshore production facilities      | ■ Refineries               |
| ■ Gas processing plants               | ■ Chemical plants          |
| ■ Bulk truck terminals                | ■ Fuel dispensing stations |
| ■ Oil drilling rigs (land & offshore) | ■ Solvent / cleaning areas |



# Z-Achiever

## Catalog Number Logic

**ZA** **H** **40** **C** **8** - **G** - **T2** **\*\***  
(1) (2) (3) (4) (5) (6) (7) (8)

**(1) Series - Zone Achiever "ZA"**

Epoxy coated, cast aluminum, explosion proof  
H.I.D. trunnion mount floodlight with tempered  
glass globe.

**(2) Lamp Type** (mogul base)

**H** - Metal Halide  
**S** - High Pressure Sodium  
**V** - Mercury Vapor

**(3) Lamp Wattage**

**15** - 150 watts (HPS only)  
**17** - 175 watts (MH or MV only)  
**25** - 250 watts  
**40** - 400 watts

**(4) Ballast Circuit**

**C** - Constant wattage auto-transformer  
**H** - High reactance  
(all ballasts high power factor)

**(5) Voltage/Frequency**

**2** - 220 Volt, 50 Hz.  
**3** - 240 Volt, 60 Hz.  
**6** - 480 Volt, 60 Hz.  
**8** - 120/277/347 Volt, 60 Hz.

**(6) Guard**

**G** - Cast guard  
(omit "G" if guard not required)

**(7) Mounting Style**

**T2** - Trunnion mount c/w 3/4" npt. entry hub  
**T3** - Trunnion mount c/w 1" npt. entry hub

**(8) Special Options**

**C** - CSA nameplate (consult factory)  
**AR** - Angle reflector  
**DR** - Standard dome reflector  
**T** - MaxKote custom corrosion coating  
**Q** - Fixture with auxiliary quartz option  
**R** - Fixture with instant restart option  
(150 watt HPS only)

**Notes:**

- Lamps are not included.**  
(unless option "Z", E-Z-PAC is specified)
- Consult factory for any catalog number or options not listed above for price and availability.**

# Z-Achiever

## Ordering Guide

Lamp Type	Lamp Wattage	Voltage	Trunnion Mount Catalog Number	Weight lbs. (kg.)
High Pressure Sodium	150	120/277/347	ZAS-15-H8-G-T2	52 (23.6)
	250		ZAS-25-C8-G-T2	57 (25.9)
	400		ZAS-40-C8-G-T2	62 (28.2)
Metal Halide	175	120/277/347	ZAH-17-C8-G-T2	51 (23.2)
	250		ZAH-25-C8-G-T2	54 (24.5)
	400		ZAH-40-C8-G-T2	59 (26.8)
Mercury Vapor	175	120/277/347	ZAV-17-C8-G-T2	49 (22.3)
	250		ZAV-25-C8-G-T2	52 (23.6)
	400		ZAV-40-C8-G-T2	57 (25.9)

### Ordering Notes:

1. All fixtures shown with tri-tap 120/277/347 Volt, 60 Hz. ballast
2. (see Catalog Logic Number page for alternate voltages).
3. All fixtures are designed for mogul based lamps.
4. All fixtures are shown with guard. To order fixture without guard omit "G" from catalog number.
5. Verify hazardous location suitability using Certification Guide or consult factory.

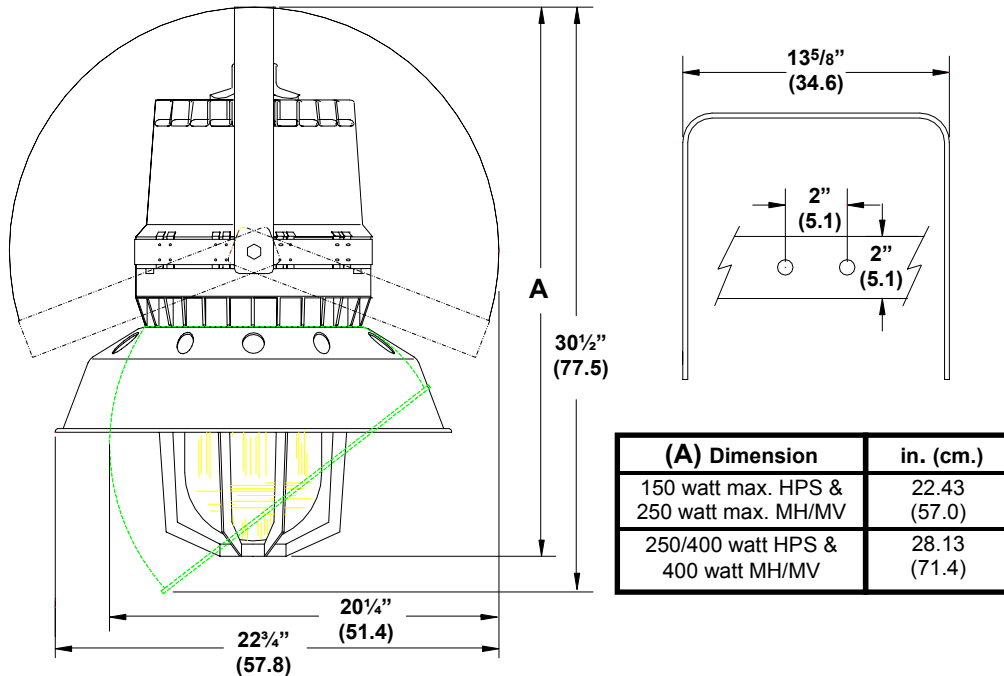
## Certification Guide (40°C Ambient)

Lamp Type	Watts	Class I, Div. I Groups C & D Temp Codes*	UL 595 Marine	NEMA 4X	Supply Wire Temp.(°C)
High Pressure Sodium	150	T4A	Yes	Yes	85
	250	T4A	Yes	Yes	85
	400	T3C	Yes	Yes	90
Metal Halide	175	T4A	Yes	Yes	85
	250	T3C	Yes	Yes	90
	400	T3B	Yes	Yes	90
Mercury Vapor	175	T4	Yes	Yes	85
	250	T3C	Yes	Yes	90
	400	T3A	Yes	Yes	90

\* Temperature codes shown include globe, guard and reflector.

# Z-Achiever

## Dimensions



## Fixture Components

