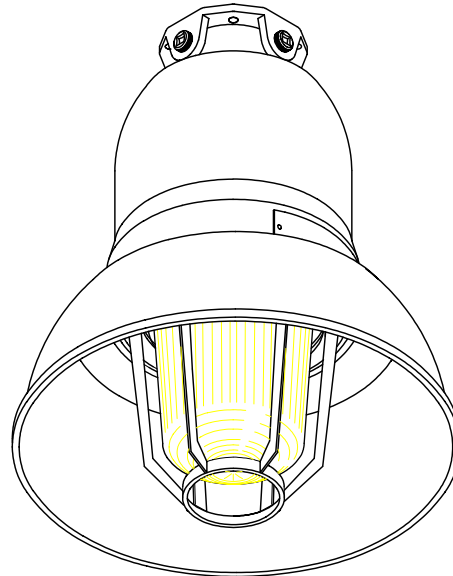
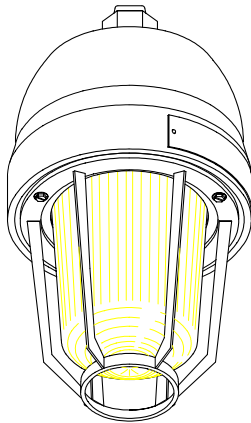




Lighting Products

- CSA - Class I Div. 1 - Groups C & D
- CSA - Class I Div. 2 - Groups A, B, C & D
- CSA - Class II Div. 1 & 2 - Groups E, F & G
- CSA - Class III
- UL 844 - Class I Div. 1 - Groups C & D
- UL 844 - Class I Div. 2 - Groups A, B, C & D
- UL 844 - Class II Div. 1 & 2 - Groups E, F & G
- UL 844 - Class III
- UL Marine Listed, Nema 4X



ZoneMax II

Explosion Proof H.P.S., Incandescent & Compact Fluorescent Fixtures

Features:

- **High pressure sodium & incandescent** models (maximum 150 watts).
- **Compact, lightweight design** for medium based lamps.
- ZoneMax II **compact fluorescent** models offer **extended lamp-life** and up to **75% energy savings** as comparable lumen output incandescent models.
- Double pitch **ACME threads** on ballast housing to mount box & globe assembly to provide trouble free assembly and maintenance.
- 100% factory tested pre-stressed, tempered, **heat and impact resistant globes** (fluted for low glare).
- Electro-mechanical **disconnecting block** provides wireless assembly of ballast tank to outlet box.
- **Polyester powder coat finish** and stainless steel external hardware for corrosion resistance.
- Male connection block is pre-wired to ballast and secured to form the **factory seal** and to eliminate wire twisting.
- **Five mounting styles** available: (pendant, ceiling, wall, bulkhead and 25° stanchion).
- Optional **cast aluminum guard** available.
- Optional **dome or angle fiberglass reinforced polyester reflectors** are vented to allow convection of heat and provide up-light distribution to minimize glare.
- **Mounts are interchangeable** with ZoneMax fixtures.

Applications:

- | | |
|---|------------------------------------|
| ■ Chemical manufacturing / processing plants | ■ Waste treatment plants |
| ■ Paint manufacturing facilities | ■ Marine loading terminals |
| ■ Bulk truck terminals | ■ Pipeline pumping stations |
| ■ Refineries | ■ Solvent / cleaning areas |



ZoneMax II

Catalog Number

ZM **F** **26** - **G** - **B2** ******
(1) (2) (3) (4) (5) (6)

(1) Series - ZoneMax II "ZM"

Compact design, polyester powder coated, cast aluminum, explosion proof fixture for HPS, incandescent or compact fluorescent lamps.

(2) Lamp Type

F - Fluorescent (compact)
I - Incandescent (medium base only)
S - High pressure sodium (medium base only)

(3) Lamp Wattage

9 - 9 watts (fluorescent only)
13 - 13 watts (fluorescent only)
18 - 18 watts (fluorescent only)
26 - 26 watts (fluorescent only)
50 - 50 watts (H.P.S. only)
70 - 70 watts (H.P.S. only)
10 - 100 watts (H.P.S. only)
15 - 150 watts (H.P.S. & incandescent)

Notes:

1. All H.P.S. models have reactor type (HPF) ballast, consult factory for constant wattage autotransformer (CWA) type.
2. All models are available in 120 volt only.
3. Incandescent model shown is 150 watt max., A21 lamp.

(4) Guard

G - Cast guard
(Omit "G" if guard not required)

(5) Mounting Style

B2 - 3/4" npt. wall mount
B3 - 1" npt. wall mount
C2 - 3/4" npt. ceiling mount
C3 - 1" npt. ceiling mount
J2 - 3/4" npt. bulkhead mount
J3 - 1" npt. bulkhead mount
P2 - 3/4" npt. pendant mount
P3 - 1" npt. pendant mount
S4 - 1 1/4" npt. stanchion mount
S5 - 1 1/2" npt. stanchion mount

(6) Special Options

C - CSA nameplate (consult factory)
AR - Angle reflector
DR - Standard dome reflector
EX - Exit sign refractor

Note: Lamps are not included.

Consult factory for any catalog number or options not listed above for price and availability.

ZoneMax II

Certification Guide

40° C Ambient							
Lamp Type	Watts	Class I, Div. I Groups C & D Temp Codes*	Class II & III, Div. I & 2		UL Marine Listed	NEMA 4X	Supply Wire Temp.(°C)
			Temp. Codes*	Class II Groups			
High Pressure Sodium	50	T6	T4A	EFG	Yes	Yes	60
	70	T5	T4	EFG	Yes	Yes	75
	100	T4A	T3C	EFG	Yes	Yes	85
	150	T3C	--	--	Yes	Yes	85
Fluorescent	18	T6	T6	EFG	Yes	Yes	60
Incandescent	100	T5	T4	EFG	Yes	Yes	85
	150	T4A	T3A	EF	Yes	Yes	85

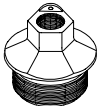



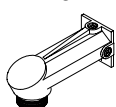

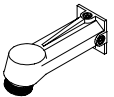

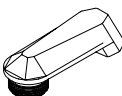

* Temperature codes shown include globe, guard and reflector.

Fixture Components

ZoneMax Ballast Housing and Globe Assembly		
Lamp Type	Lamp Watts	UL/CSA Approved 120 Volt Only
High Pressure Sodium	50	ZMS 50
	70	ZM 70
	100	ZMS10
	150	ZMS 15
Fluorescent	9	ZMF 9
	13	ZMF 13
	18	ZMF 18
	26	ZMF 26
Incandescent	150	ZMI 15

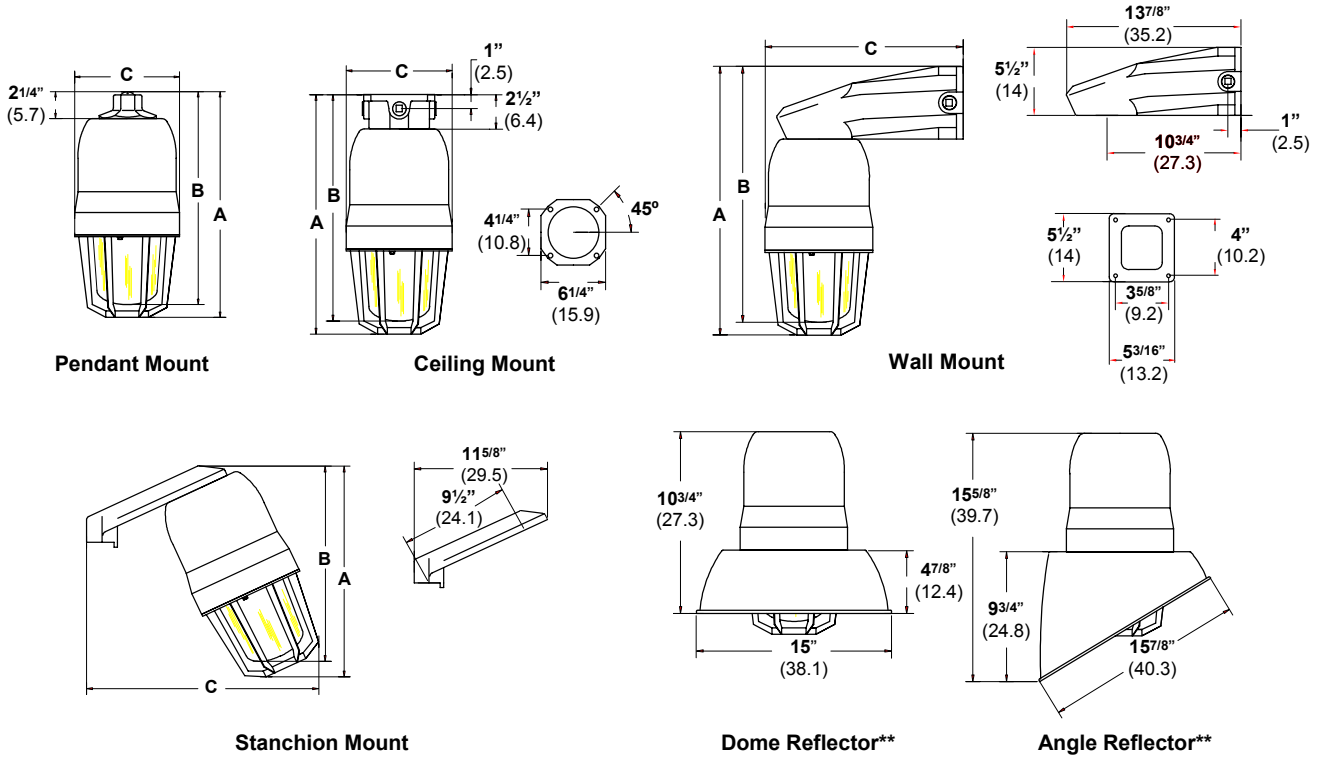
ZoneMax II

Fixture Components

Mount Types	Hub Size	Catalog Number	Weight lbs/kg	Accessories	Catalog Number	Description	Weight lbs/kg
 Pendant	3/4"	ZXP2	2 lbs. (0.9 kg.)		RDP15	Standard dome fiberglass reinforced polyester.	2.4 lbs. (1.1 kg.)
	1"	ZXP3					
 Ceiling	3/4"	ZXC2	4 lbs. (1.8 kg.)		RAP15	30° angle reflector fiberglass reinforced polyester finish	2.9 lbs. (1.3 kg.)
	1"	ZXC3					
 Wall	3/4"	ZXB2	5 lbs. (2.3 kg.)		REX15	3 sided exit sign reflector.	0.5 lbs. (.23 kg.)
	1"	ZXB3					
 Bulkhead	3/4"	ZXJ2	5 lbs. (2.3 kg.)		GCZ15	Cast Guard	0.7 lbs. (.32 kg.)
	1"	ZXJ3					
 Stanchion	1-1/4"	ZXS2	4 lbs. (1.8 kg.)		ZXR15	Replacement Globe & Ring Assembly	6.5 lbs. (3.0 kg.)
	1-1/2"	ZXJ3					

ZoneMax II

Dimensions



Mount	Lamp Type	A*	B*	C*	Weight
Pendant Mount	Fluorescent	14.31 (36.3)	13.44 (34.1)	8.25 (21.0)	15.5 lbs. (7.0 kg.)
	Incandescent	14.31 (36.3)	13.44 (34.1)	8.25 (21.0)	14.1 lbs. (6.4 kg.)
Mount	High Pressure Sodium	17.63 (44.8)	16.75 (42.6)	8.25 (21.0)	21.5 lbs. (9.8 kg.)
	Fluorescent	14.63 (37.2)	13.75 (34.9)	8.25 (21.0)	17.5 lbs. (8.0 kg.)
Ceiling Mount	Incandescent	14.63 (37.2)	13.75 (34.9)	8.25 (21.0)	16.1 lbs. (7.3 kg.)
	High Pressure Sodium	17.94 (45.6)	17.13 (43.5)	8.25 (21.0)	23.5 lbs. (10.7 kg.)
Wall Mount	Fluorescent	17.50 (44.5)	16.63 (42.2)	14.88 (37.8)	18.5 lbs. (8.4 kg.)
	Incandescent	17.50 (44.5)	16.63 (42.2)	14.88 (37.8)	17.1 lbs. (7.8 kg.)
Mount	High Pressure Sodium	20.81 (52.9)	19.94 (50.7)	14.88 (37.8)	24.5 lbs. (11.1 kg.)
	Fluorescent	12.64 (32.1)	11.84 (30.0)	14.13 (35.9)	17.5 lbs. (8.0 kg.)
Stanchion Mount	Incandescent	12.64 (32.1)	11.84 (30.0)	14.13 (35.9)	16.1 lbs. (7.3 kg.)
	High Pressure Sodium	15.64 (39.7)	14.84 (37.7)	17.25 (43.8)	23.5 lbs. (10.7 kg.)

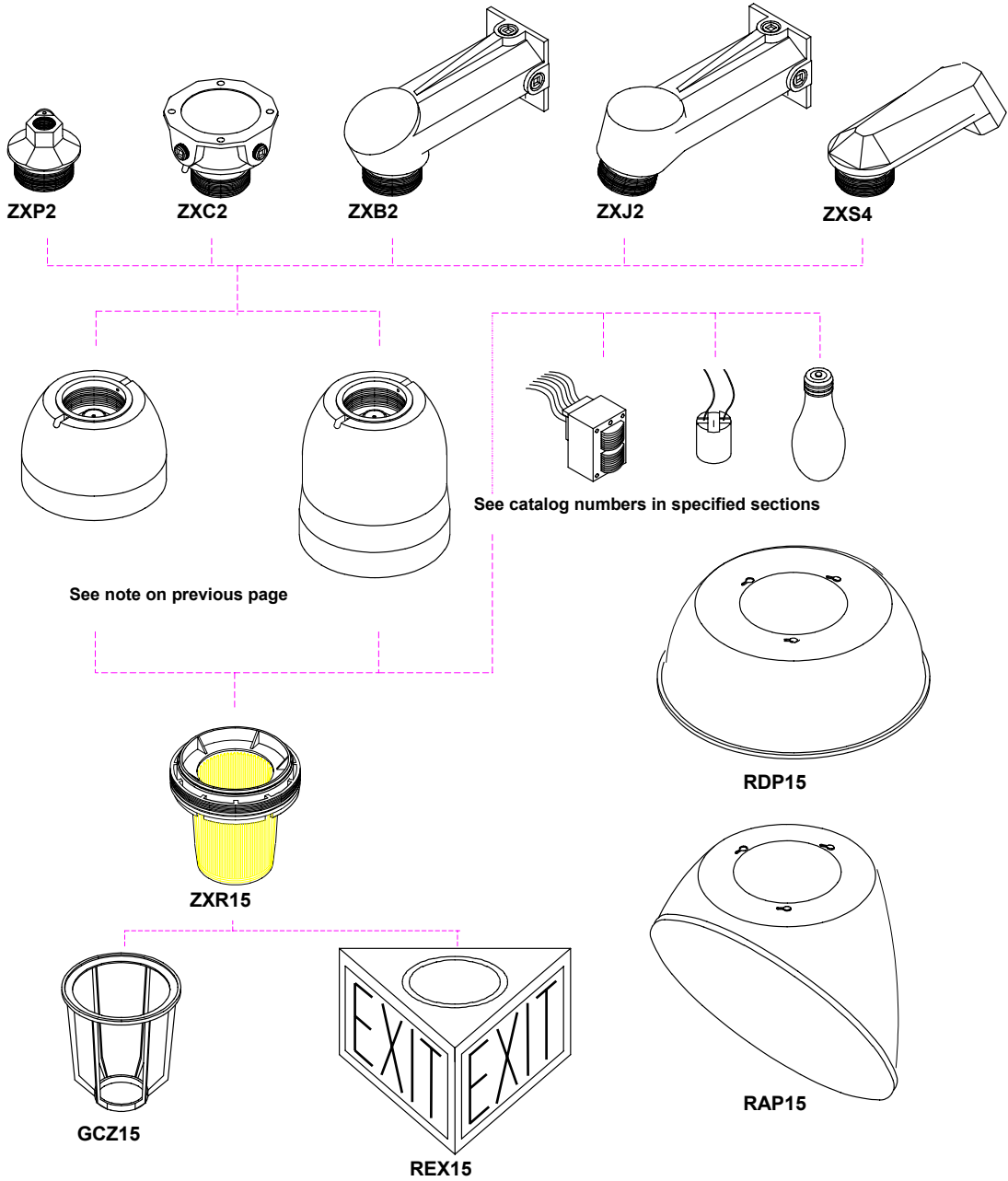
Notes: Weights shown are for maximum wattage ballast listed.

* All dimensions are in inches (cm.)

** Please note that dimensions with dome and angle reflector are without mount. Please add dimensions for required mount.

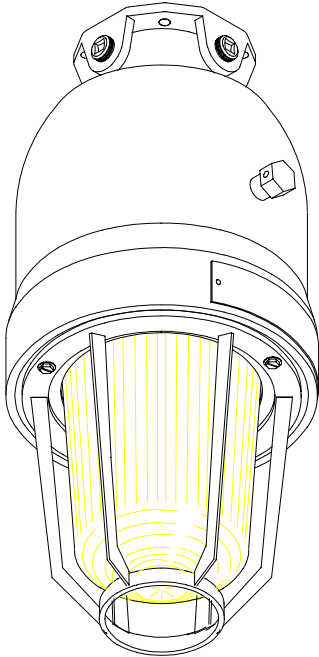
ZoneMax II

Parts Breakdown



ZoneMax II

Fluorescent Emergency



Features:

- Same **quality features** as standard ZoneMax II models.
- **Meets OSHA, Life Safety Code (NFPA 101) and National Electrical Code (NFPA 70)** requirements for explosion proof emergency lighting.
- **Red Polyester powder coat** for easy recognition of emergency lighting.
- **Dual 13 watt twin tube fluorescent** lamps included with 10,000 hour lamplife for reliability and lower re-lamping costs.
- Each fluorescent lamp is powered by its own **separate ballast and separate battery** for increased reliability.
- **Batteries** are sealed, high temperature **nickel-cadmium** and have a life expectancy of 7 to 10 years.
- **Explosion proof globe** provides safety of lamps, therefore minimizing risk of downtime and maintenance.
- Optional **cast aluminum guard** provides protection for the globe.
- **Stainless steel breather** (UL approved) allows venting of battery gasses.
- **Two versions** available, either continuous operation or emergency use only.

Catalog Number Logic

ZME **B** **1** - **G** - **P2** ******
(1) (2) (3) (4) (5) (6)

(1) Series - ZoneMax II Emergency "ZME"

ZoneMax II explosion proof fluorescent emergency lighting.

(2) Battery Ballast Circuit

B - Emergency operation

(two fluorescent battery ballasts)

C - Continuous operation (two fluorescent battery ballasts plus two AC reactor ballasts, 120 volt only).

(3) Voltage

1 - 120 Volt AC (emergency or continuous operation)

2 - 277 Volt AC (emergency operation only)

(4) Guard

G - Cast Guard

(Omit "G" if guard not required)

(5) Mounting Style

B2 - 3/4" npt. wall mount

B3 - 1" npt. wall mount

C2 - 3/4" npt. ceiling mount

C3 - 1" npt. ceiling mount

J2 - 3/4" npt. bulkhead mount

J3 - 1" npt. bulkhead mount

P2 - 3/4" npt. pendant mount

P3 - 1" npt. pendant mount

S4 - 1 1/4" npt. stanchion mount

S5 - 1 1/2" npt. stanchion mount

(6) Options

AR - Angle reflector

DR - Standard dome reflector

ST - Test switch station

EX - Exit sign refractor

ZoneMax II

Fluorescent Emergency Ordering Guide

ZoneMax II Emergency Class I, Division 1, Groups, C & D Wet Locations				
Mounting Style	Conduit Size	120 VAC Emergency Use	277 VAC Emergency Use	120 VAC Continuous Operation
Pendant	3/4"	ZME B 1 - G - P2	ZME B 2 - G - P2	ZME C 1 - G - P2
	1"	ZME B 1 - G - P3	ZME B 2 - G - P3	ZME C 1 - G - P3
Ceiling	3/4"	ZME B 1 - G - C2	ZME B 2 - G - C2	ZME C 1 - G - C2
	1"	ZME B 1 - G - C3	ZME B 2 - G - C3	ZME C 1 - G - C3
Wall	3/4"	ZME B 1 - G - B2	ZME B 2 - G - B2	ZME C 1 - G - B2
	1"	ZME B 1 - G - B3	ZME B 2 - G - B3	ZME C 1 - G - B3
Stanchion	1 1/4"	ZME B 1 - G - S4	ZME B 2 - G - S4	ZME C 1 - G - S4
	1 1/2"	ZME B 1 - G - S5	ZME B 2 - G - S5	ZME C 1 - G - S5
Bulkhead	3/4"	ZME B 1 - G - J2	ZME B 2 - G - J2	ZME C 1 - G - J2
	1"	ZME B 1 - G - J3	ZME B 2 - G - J3	ZME C 1 - G - J3

Dimensions

Note: Dimensions the same as ZoneMax II H.I.D. models (refer to ZoneMax II - Dimensions.)

Temperature Ratings

Type	Class I, Division 1, Groups C & D
Emergency operation	T6
Continuous operation	T6

Operating Versions

CONTINUOUS OPERATION

The continuous operation ZoneMax II emergency fixture uses AC ballasts in addition to the nickel-cadmium batteries and solid-state electronics. These fixtures operate at full lumen output when normal AC power is present, automatically switch to battery power when AC power to ballast is interrupted and operate at 55% of full lumen output for a time of at least 90 minutes.

EMERGENCY OPERATION

The emergency operation ZoneMax emergency fixture has self-contained nickel-cadmium batteries and solid-state electronics. The fixture turns on only if the AC power supply is interrupted, and operate at 55% of full lumen output for a time of at least 90 minutes.