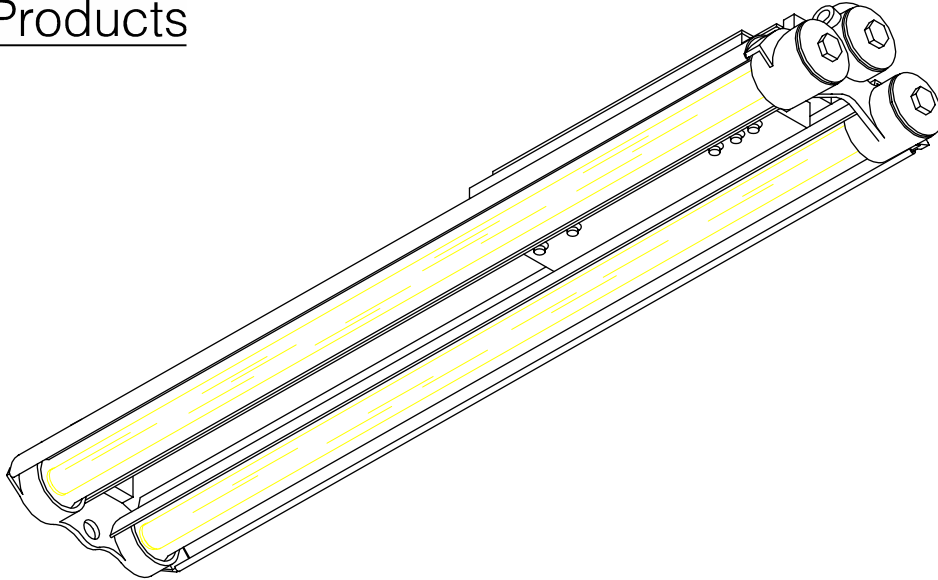




- CSA - Class I Div. 1 & 2 - Groups C & D
- CSA - Class I Zone 1 - Groups IIA & IIB
- CSA - Class II Div. 1 & 2 - Groups E, F & G
- CSA - Class III, Type 3 Enclosure
- UL 844 - Class I Div. 1 & 2 - Groups C & D
- UL 844 - Class II Div. 1 & 2 - Groups E, F & G
- UL Outdoor Marine Type (Salt Water)
- Paint Spray Booth Approved
- Meets Coast Guard Specifications (USA & Canada)



## ZonePro

### Explosion Proof Fluorescent

#### Features:

- **Cast aluminum** ballast box complete with **o-ring**.
- No dirt collecting fins on ballast box, with **lowest temperature rating available (T6)**.
- **Cast ends & caps** complete with **o-rings**.
- **Extruded aluminum reflectors**, finished with a **high reflectance** baked white enamel.
- **Sharp cut off** (80 degrees) 160 degree total lumen distribution.
- Standard clear **tempered borosilicate glass tubes**.
- **Spring loaded sockets** on all T8 & T12 models.
- **2 & 4 foot models** with T8 or T12, 2 lamp, 2 tube design.
- **2 & 4 foot models** with T8 or T12, 4 lamp, 4 tube design.
- **Compact fluorescent** designs, 2 lamp, 2 foot & 4 lamp, 4 foot (2 tube models).
- All fixtures **shipped** complete with **lamps installed**.
- **Mounting options** are available for either **bracket** or **pendant mount**.

#### Applications:

- Aircraft maintenance & inspection areas
- Paint manufacturing plants
- Solvent handling & cleaning areas
- Oil drilling rigs (land & offshore)
- Refineries
- Inside paint spray booths
- Fuel dispensing facilities
- Gas processing plants



# ZonePro

## Catalog Number Logic

**ZP**   **4** - **2**   **8**   **1**   **3**   **U** - **\*\***  
(1)   (2)   (3)   (4)   (5)   (6)   (7)   (8)

**(1) Series - ZonePro “ZP”**

Cast aluminum end caps & ballast box, impact resistant tempered glass tubes and extruded aluminum reflectors.

**(2) Length (nominal)**

2 - 2 foot  
4 - 4 foot

**(3) Number of Lamps**

2 - For 2 lamps  
(2 - tube design for all ballast types)  
4 - For 4 lamps  
(2 - tube design for ballast type 2)  
(4 - tube design for all other ballast types)

**(4) Ballast Type**

1 - 265 mA, T8  
(0° F & -18° C starting temp, 50/60Hz electronic ballast)  
2 - 270 mA, 2G11 - compact fluorescent  
(0° F & -18° C starting temp, 50/60Hz electronic ballast)  
4 - 430 mA, T12, RS  
(+50° F & +10° C starting temp, magnetic ballast)  
8 - 800 mA, T12, RS, HO  
(-20° F & -29° C starting temp, magnetic ballast)  
15 - 1500 mA, T12, RS, VHO  
(-20° F & -29° C starting temp, magnetic ballast)

**(5) Voltage / Frequency**

1 - 120 Volt 60 Hz.  
2 - 220 Volt 50 Hz.(T12 magnetic only, not CSA listed)  
3 - 220 to 240 Volt 50/60 Hz.(ballast types 1 & 2 only)  
4 - 240 Volt 60 Hz.(T12 magnetic only)  
5 - 277 Volt 60 Hz.  
6 - 347 Volt 60 Hz. \*  
7 - 120 to 277 Volt 50/60 Hz.(ballast type 1 only)

**(6) Mounting Style**

1 - Pendant mounting, ½” npt. hub added to power end. ZP1050 pendant bracket included.  
3 - End mounting, standard design  
(brackets supplied, see mounting options)

**(7) Labels:**

U - UL  
C - CSA (C/US)  
M - Dual labels (UL & CSA)

**(8) Special Options**

CR - Corrosion resistant design  
EM2 - Emergency ballast (all areas, 700 lumen\*)  
EM3 - Emergency ballast (all areas, 1200 lumen\*)  
PS - Polycarbonate shield  
WG - Wire guard (stainless steel)

**Notes:**

1. **Lamps are included.**
2. **Emergency units do not have test switch or charging circuit indicator lamp. (explosion proof test switch available, consult factory)**
3. **\* CSA (C/US) approved only.**
4. **Consult factory for any catalog number or options not listed above for price and availability.**

# ZonePro

## Ordering Guide, 120 Volt only

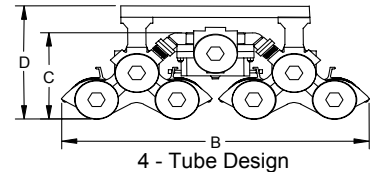
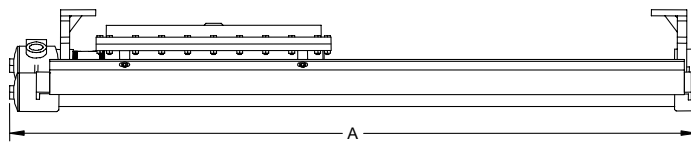
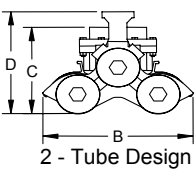
Nominal Length	Ballast Type	Lamp Type	Number of Lamps	Raw Lumen Output	Catalog Number
Two Foot	Electronic	F17T8	2	2,393	ZP2-2113C
		FT40W/2G11	2	6,300	ZP2-2213C
	Magnetic	F24T12/HO	2	2,689	ZP2-2813C
Four Foot	Electronic	F32T8	2	6,962	ZP4-2113C
		FT40W/2G11	4	12,600	ZP4-4213C
	Magnetic	F40/ES	2	4,770	ZP4-2413C
		F48T12/HO	2	6,885	ZP4-2813C
Four Foot (Four Tube)	Electronic	F32T8	4	13,924	ZP4-4113C
	Magnetic	F40/ES	4	9,540	ZP4-4413C
		F48T12/HO	4	13,770	ZP4-4813C

**Notes:** For mounting style "1" ( pendant mount ) change last number "3" to "1"

## Certification Guide

All approvals are based on 40 degree C ambient temperatures		Class I Div.1 Groups C & D		Class II Div. 1 & 2		Class I Zone 1 Groups IIA & IIB	
Ballast Type	No. of Lamps	Approval	T-Rating	Approval	Groups	Approval	Groups
Electronic, 265mA, T8, RS	2 & 4	CSA/UL	T6	CSA/UL	E, F & G	CSA	T6
Electronic, 270mA, 2G11, RS	2 & 4	CSA/UL	T6	CSA/UL	E, F & G	CSA	T6
Magnetic, 430mA, T12, RS	2 & 4	CSA/UL	T6	CSA/UL	E, F & G	CSA	T6
Magnetic, 800mA, T12, HO	2 & 4	CSA/UL	T6	CSA/UL	E, F & G	CSA	T6
Magnetic, 1500mA, T12, VHO	2 & 4	CSA/UL	T5	CSA/UL	E, F & G	CSA	T5

## Dimensions

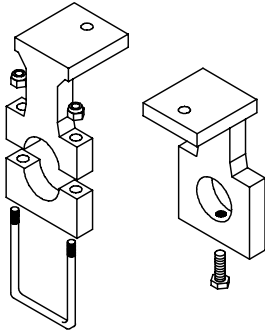


Nominal Length	Dimensions in Inches / Centimeters				Cubic Size Feet / Meter	Weight lb. / kg
	A	B	C	D		
2 Foot, 2 Tube	27.5 / 69.9	11.3 / 28.6	7.3 / 18.6	8.5 / 21.6	2.45 / 0.0694	57.0 / 25.9
4 Foot, 2 Tube	51.5 / 130.8	11.3 / 28.6	7.3 / 18.6	8.5 / 21.6	4.95 / 0.1402	66.5 / 30.2
4 Foot, 4 Tube	51.5 / 130.8	23.5 / 59.7	7.3 / 18.6	9.5 / 24.1	7.20 / 0.2039	124.0 / 56.4

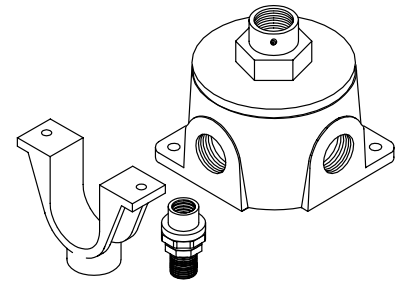
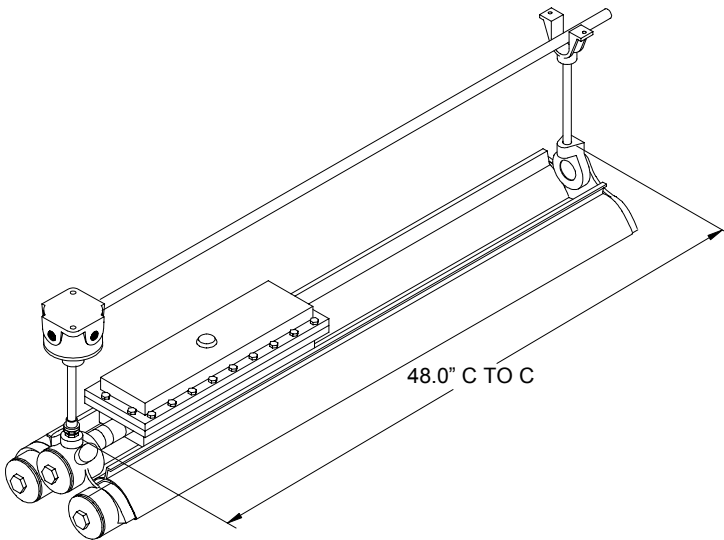
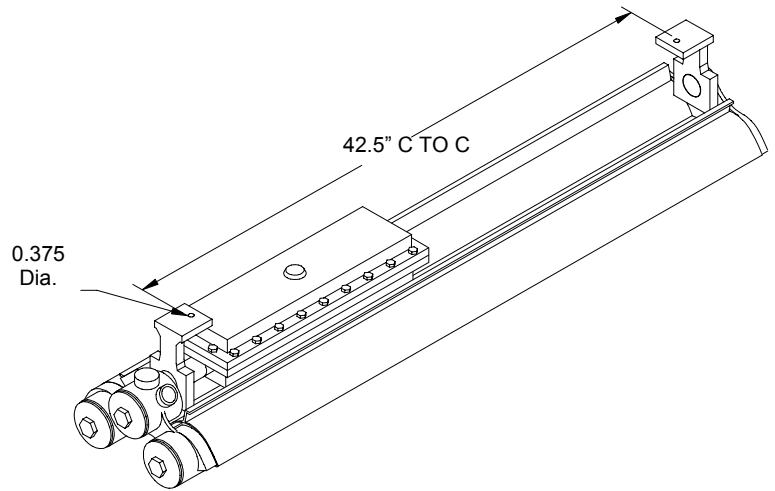
Weights shown are for 2 lamp HO models.  
Deduct 5 lbs. / 2.2 kg. for all other 2 lamp models.

# ZonePro

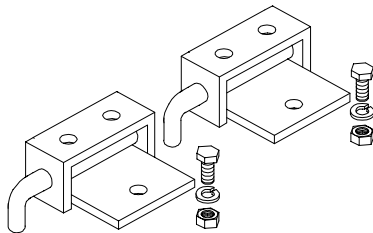
## Mounting Options



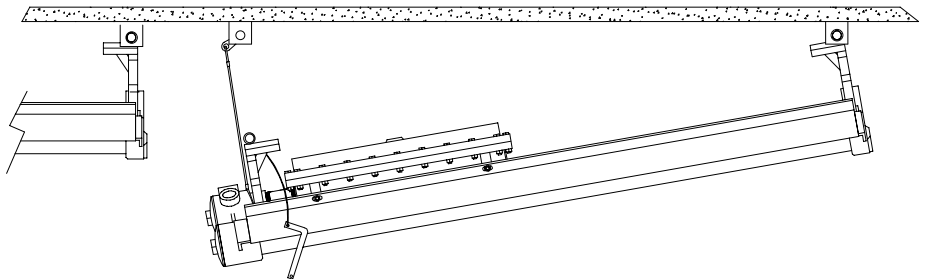
**ZP1093MTK** Surface mounting kit.  
Consisting of 2 fixture brackets  
(Supplied with fixture if mounting style "3" is ordered)



**ZP1095MTK** Pendant kit.  
Consists of 1 - 1/2" union, saddle strap,  
Class I, Div. 1 box & cover (1/2" npt hubs)  
(For use with mounting style "1")

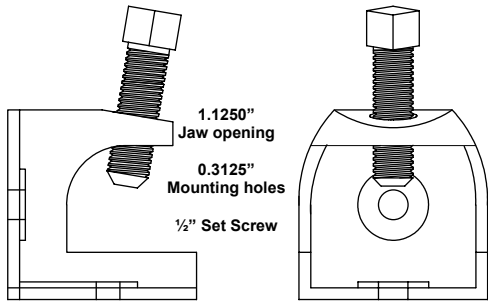


**ZP1099MTK** Drop bracket mounting kit.  
Consists of 2 drop brackets & support cable.  
2 kits required for 4-lamp model ( ZP1093 kit required )

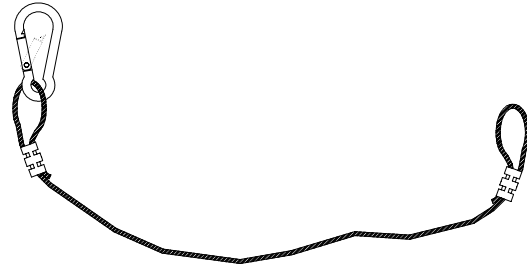


# ZonePro

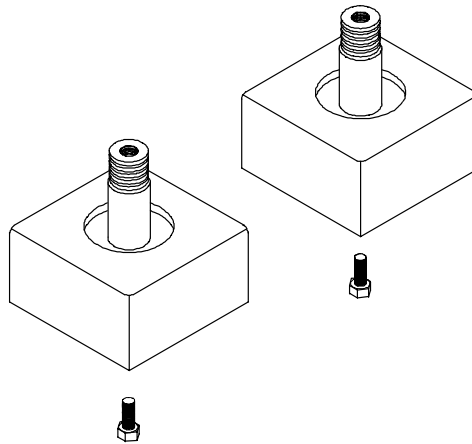
## Accessories



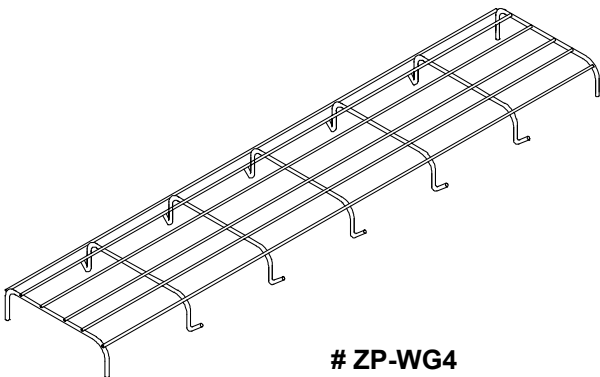
**# BC2K**  
Beam clamp kit (2 pcs.)  
For use with standard brackets  
(2 kits required for 4 tube model)



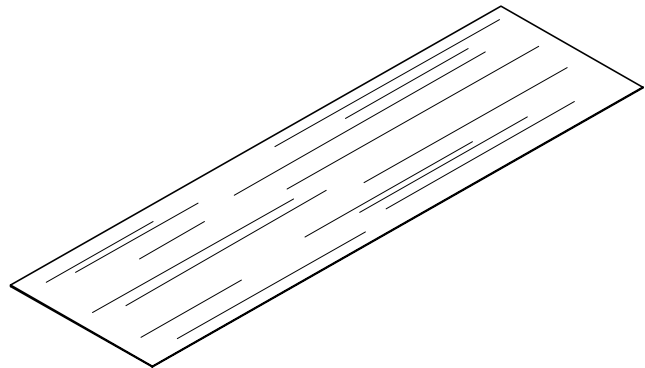
**#SC30H**  
30" Safety cable; c/w snap hook  
For use with all models  
(2 kits required for 4 tube model)



**# SM2K**  
Shock mounting kit (2 pcs.)  
For use with standard brackets  
(2 kits required for 4 tube model)



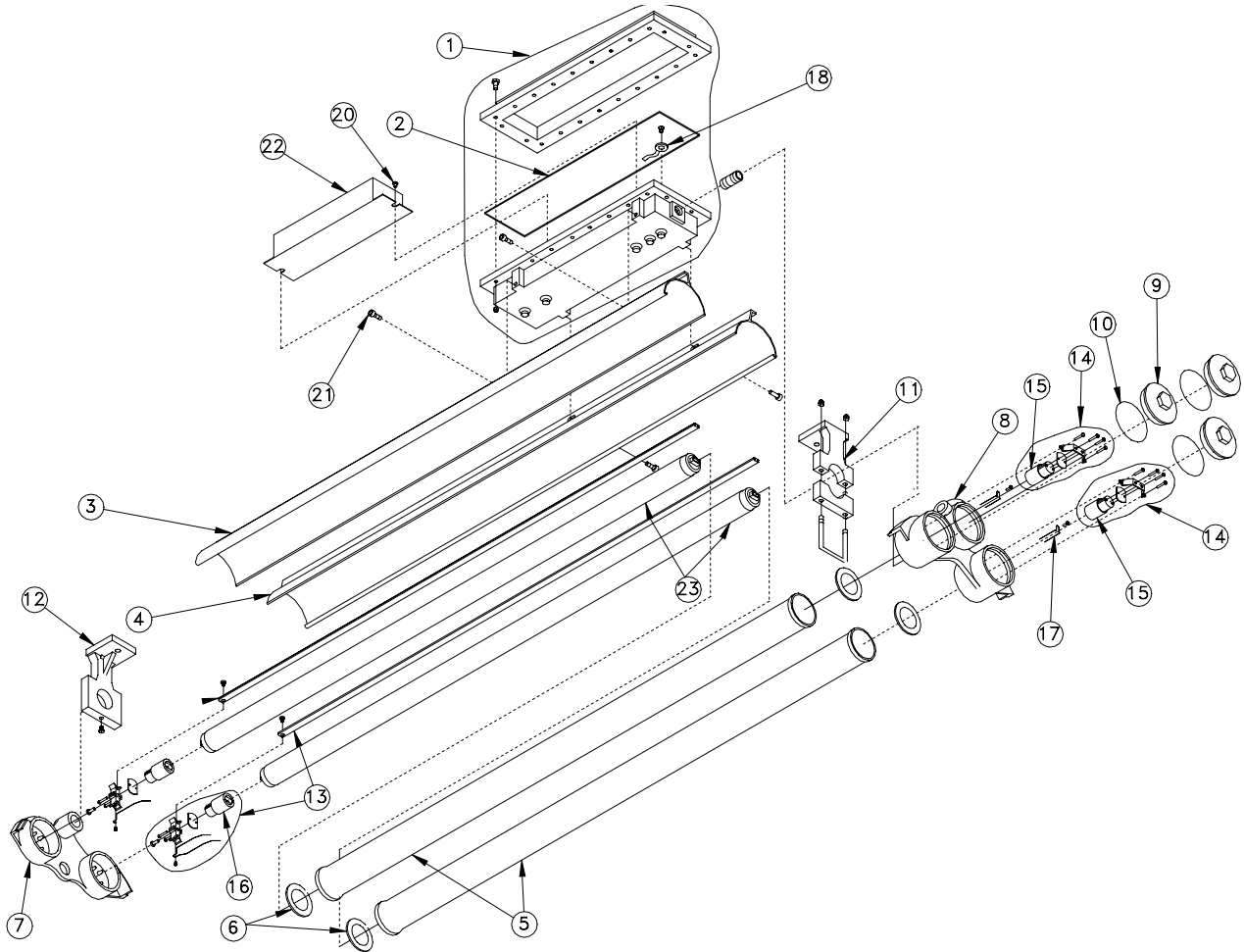
**# ZP-WG4**  
Stainless steel wire guard (4ft.)  
For 2 foot model change "4" to "2"  
(2 required for 4 tube model)



**# ZP-PS4**  
Polycarbonate shield (4ft.)  
For 2 foot model change "4" to "2"  
(2 required for 4 tube model)

# ZonePro

## Parts List



Item No.	Part No.	Description	No Req'd	Item No.	Part No.	Description	No Req'd
1	004-1000	Ballast box complete assembly	1	13*	004-3404	Assem., socket and wire-way (T8/T12RS)	2
2	004-1020	Gasket, for ballast box	1	13*	004-3402	Assem., socket and 2 ft. wire-way (T8)	2
3	004-4300	Reflector, left or right side for all 4 ft. models	1	13*	004-3204	Assem., socket and wire-way (2G11- CF)	2
4		Reflector, left or right side for all 4 ft. models	1	13*	004-3202	Assem., socket and 2 ft. wire-way (2G11-CF)	2
3*	004-2300	Reflector, left or right side for all 2 ft. models	1	14	004-3800	Assem., socket / strap, re-lamp end (HO)	2
4*		Reflector, left or right side for all 2 ft. models	1	15	758-5402	Socket, HO, spring loaded with 20" leads	2
5	<b>Factory installed Only</b>	Tube, glass for all 4 ft. models	2	15*	754-5422	Socket, RS, spring loaded with 20" leads	2
5*		Tube, glass for all 2 ft. models	2	15*	752-6050	Socket, 2G11 type, for all CF models	2 or 4
6		Fiber gasket, btwn. glass and casting	4	16	758-5406	Socket, HO, spring loaded with 72" leads	2
7		Casting, non-power / blind end	1	16*	754-5426	Socket, RS, spring loaded with 72" leads	2
8		Casting, power / re-lamp end	1	17	004-3000	Clip assem., to secure wire-way, all models	2
9	004-1015	Casting, cap for re-lamp end	3	18	380-1440	Grounding hardware assembly all models	1
10	004-1030	Gasket, for re-lamp cap	3	20	380-2551	Mounting hardware, ballast for all models	2
11	104-1053-2	Bracket, 2 pc. for re-lamp end	1 or 2	21	380-2511	Mounting hardware, ballast box to reflectors	4
12	104-1053	Bracket, for blind end	1 or 2				
12*	104-1050	Bracket, pendant mtg, blind end	1	22		Ballast (see ballast chart page for type)	1 or 2
13	004-3804	Assem., socket and wire-way (HO)	2	23		Lamps (see lamp chart page for type)	2 or 4
13*	004-3802	Assem., socket and 2 ft. wire-way (HO)	2				

\* Item not shown on drawing